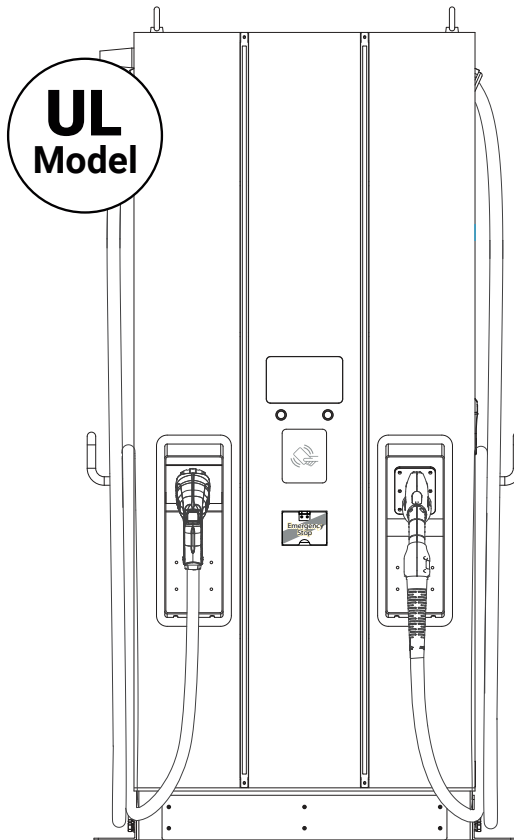


DS Series

DC EVSE 180KW **300A** Standalone Fast Charger

User Manual & Installation Instructions



W84A99900255-RB1

COPYRIGHT © 2021 Reserves the right to make changes to this product without further notice.

CONTENT

Introductions	1
Features	1
Applications.....	1
1. Basic User Interface	2
2. Specification.....	3
2.1 Product Specification	3
2.2 DS180 Version Description	6
2.3 LED Indication and Operation Status	7
2.4 Dimensions	8
2.5 Direction of cooling Airflow	8
3. Installation Instruction	9
3.1 Before Installation	9
3.2 Grounding and Safety Requirement.....	15
3.3 Install Sensor Board for Safely Shutting Down.....	17
3.4 Unpack the charger	21
3.5 Recommended Tools for Installation and Inspection.....	25
3.6 Installation Procedure	27
3.7 Installation Inspection & Commissioning	37
4. Network Setting	40
4.1 Wi-Fi Network Setting	40
4.2 3G/4G Setting.....	42
4.3 Time setting	44
5. Operation Process.....	46
5.1 Operating Sequence	46
5.2 Operating Procedure.....	46
5.3 Troubleshooting	52
5.4 Status Codes	60
6. Maintenance	81
6.1 Before Maintenance.....	81
6.2 General Maintenance.....	81
6.3 Replacement Kits and Accessories	83

7. Limited Product Warranty	84
Appendix 1 - Package list.....	86
Appendix 2 - Breaker Lock Installation	87
Appendix 3 - Preventive Maintenance Check List.....	88

Introductions

The Standalone DC Fast Charger is the top choice to power battery electric vehicles (BEV) and electric vehicles (PHEV). It is designed for quick charging in both public and private locations, such as retail and commercial parking spaces, fleet charging stations, highway service areas, workplace, residence, etc.

The Standalone DC Fast Charger has the advantage of easy installation. The pluggable power modules realize flexible and cost-effective installation for different types of locations. The DC Standalone charger also has network communication capability. It is able to connect with remote network systems and provide drivers of electric cars real-time information, such as the location of charging stations, charging progress and billing information. The Standalone DC Fast Charger has a clear user interface with function buttons, safety certifications and an excellent waterproof and dust proof design to provide the best choice for outdoor environments.

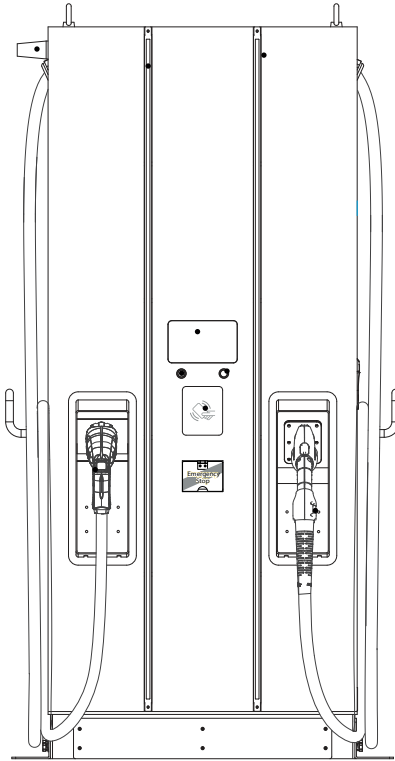
Features

- Pluggable power modules make installation easy and flexible.
- Offers customers the convenience of start/stop charging control from an authorized RFID smart card or mobile APP.
- Built according to the latest industry standards for DC charging.
- Carries an outdoor rating capable of withstanding solid and liquid intrusions in outdoor settings making the unit more stable and highly reliable.
- Provides a high-contrast, screen interface with multi-function buttons.

Applications

- Public and Private Parking Areas
- Community Parking Areas
- Parking Areas of Hotels, Supermarkets and Shopping Malls
- Workplace Parking Areas
- Charging Stations
- Highway Rest Areas

1. Basic User Interface



Antenna for Wi-Fi & 3G/4G

LED Indication

7" Information Screen

- Charging Status
- Alarm information
- User Authorization

Right Button & Left Button

Credit Card Payment System
(Optional)

Left DC Connector

Right DC Connector

*The connectors installed on the
EVSE may vary depending on the
model(section 2.2)

2. Specification

2.1 Product Specification

Model Name		DSWX182 Series
AC INPUT	Voltage Rating	3Φ480Vac(+10%,-15%)
	Max. Input Current	233A @277Vac 274A@ 235Vac
	Electrical Distribution	3P+ N+ PE (Wye configuration)
	Power Grid System	TN/TT
	Frequency	50/60Hz
	Max. Input Power	196kVA
	Power Factor	> 0.99
	Efficiency	> 94%, at optimize V/I point
	SCCR	35kA, optional for 65kA
	Output Voltage Range	DC 150 ~ 950V (CCS) DC 150 ~ 500V (CHAdEMO)
DC OUTPUT	Maximum Output Current	**CCS1 300A@150Vdc ~ 600Vdc when output voltage up to 950 Vdc the output current is 190A **CHAdEMO 120A@150Vdc ~ 500Vdc
	Maximum Output Power	180KW Each connector will get 50% output power when plug in simultaneously; And one of two connected vehicles is fully charged, all power is diverted to the remaining gun(the finished gun must be removed from vehicles). *CHAdEMO max. is 60KW
	Simultaneously output mode	

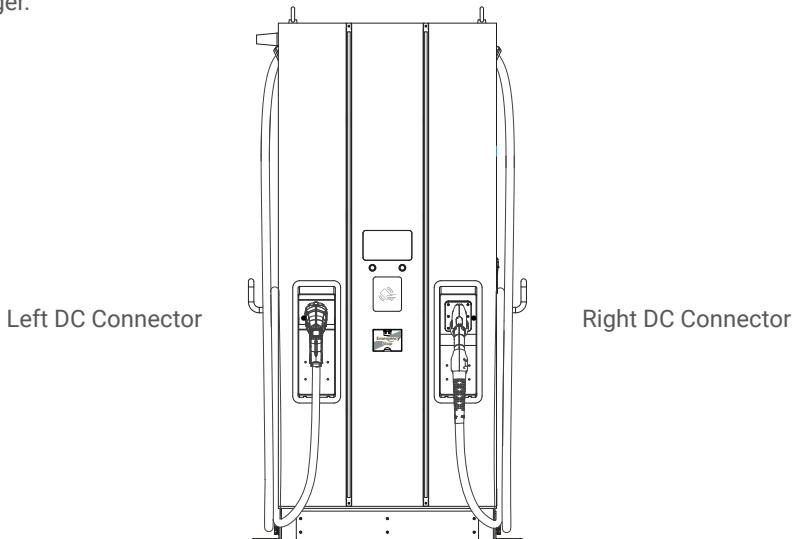
Electrical Isolation	Voltage Accuracy	±2%	
	Current Accuracy	±2%	
	Standby Power	< 100W	
	Communication	External	Ethernet, Wi-Fi and 3G or 4G
		Internal	CAN Bus/ RS485
	Input Protection	OVP, OCP, OPP, UVP, RCD, SPD	
	Output Protection	OCP, OVP, LVP, OTP, IMD	
	Internal Protection	OTP, AC contactor detection, DC contactor detection, Fuse detection	
	Load Management	Via OCCP 1.6 JSON	
	User Interface & Control	Display	7-inch LCD
Button		Right Button : Select charging connector.	
		Left Button : Home / Stop charge	
User Authentication		RFID : Support ISO 14443A/B, ISO 15693, FeliCa Lite-S (RCS966), Backend OCPP : 2D barcode, APP, Mobile Payment	
Backend Support		OCCP 1.6 JSON	
Environmental Conditions	Operation Temperature	-30°C to 50°C (-22°F to 122°F), will derating from 50°C (122°F) and above	
	Storage Temperature	-40°C to 70°C (-40°F to 158°F)	
	Relative Humidity	5%~95% RH, non-condensing	
	Altitude	≤ 2000m(6560 ft)	
	Safety	UL2202,UL2231	
Regulations	EMI/EMC	FCC CFR Title 47 Part 15 Subpart B: 2020 ANSI C63.4: 2014 ICES-003:2020 Issue 7	
		Charging Interface	CHAdeMO Ver 1.2 CCS DIN 70121

Mechanical Specifications

Dimensions (WxDxH mm)	800x650x1900mm (32x26x75 inches)
Weight (typ.)	<500kg (1102 lbs) with two charging guns
DC Charging Connector	Refer to Chapter 2.2 Table
Cooling	Fan Cooling
Ingression Protection	NEMA 3R
Anti-vandalism	IK10, excluding LCD & RFID cover

2.2 DS180 Version Description

The DS180 series are available in different versions depending on the charging connectors, below table shows the available combinations, the corresponding position of charging connectors are indicated from left to right in the view of front charger.

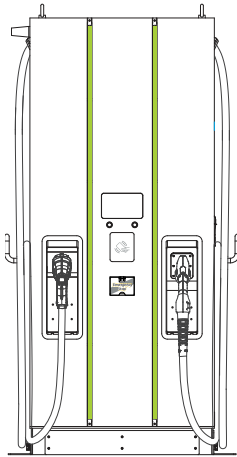


Version	Left DC Connector	AC Connector	Right DC Connector
DSWX182J0U	CHAdeMO	-	CCS1
DSWX182U00	CCS1	-	-
DSWX182U0U	CCS1	-	CCS1

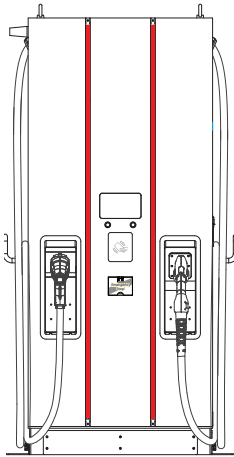
Note: The letter “X” is variance for difference function.

2.3 LED Indication and Operation Status

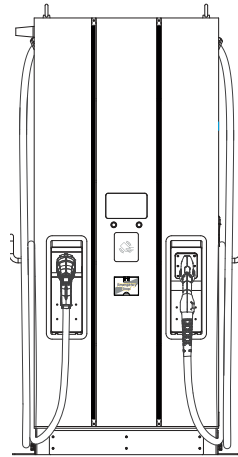
*Left LED for Left Connector, Right LED for Right Connector.



Standby



Fault

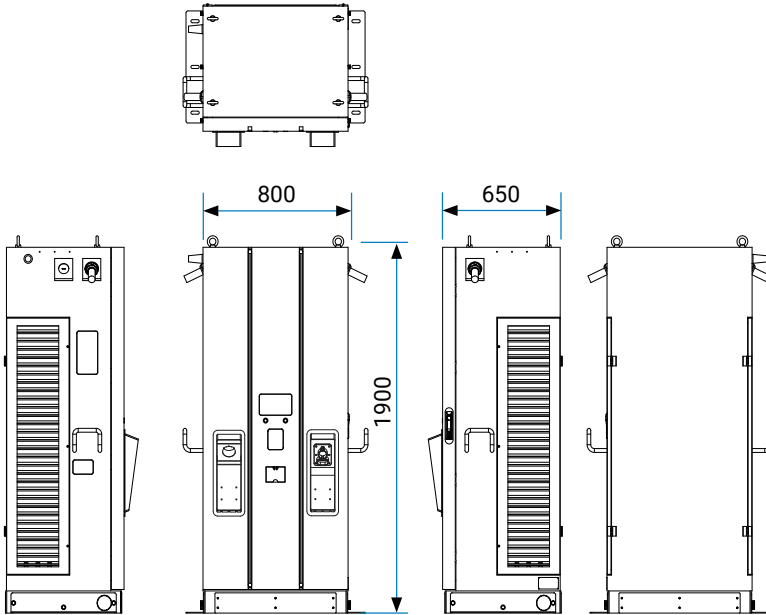


Charging

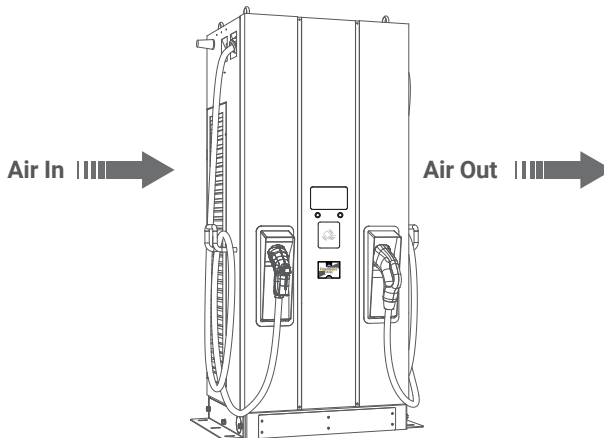
Status	LED	Left Indicator	Right Indicator
Standby		Green	Green
Fault		Red	Red
Charging		Blue	Blue

2.4 Dimensions

Main Size of Charger:(Unit: mm)



2.5 Direction of cooling Airflow



3. Installation Instruction

3.1 Before Installation

- Read all the instructions before using and installing this product.
- Do not use this product if power cable or charging cable have any damage.
- Do not use this product if the enclosure or charging connector are broken or open or if there is damage.
- Do not put any tool, material, finger or other body part into the charging connector or EV connector.
- Do not twist, swing, bend, drop or crush the charging cable. Never drive over it with a vehicle.



WARNING: The product should be installed only by a licensed contractor and/or licensed technician in accordance with all building codes, electrical codes and safety standards.



WARNING: The product should be inspected by a qualified installer prior to initial use. Under no circumstances will compliance with the information in this manual relieve user of his /her responsibilities to comply with all applicable codes and safety standards.

- Power feed must be 3 Phase Wye configuration with TN(-S)/ TT grounding systems.
- In the installation of TN(-S) system: the neutral (N) and the PE of the power distribution are directly connected to the earth. The PE of the charger equipment is directly connected to the PE of power distribution and separate conductor for PE and neutral (N).
- In the installation of TT system: the neutral (N) and the PE of the power distribution are directly connected to the earth. The PE of the charger equipment is isolated to the PE of power distribution to the earth.
- The capacity of power supply should be higher than 196 kVA in order to function correctly.
- The product should be installed in free air area and keep at least 30cm (12 inches) clearance distance to all air vent of the product.
- Recommend to keep not less than 100cm (3 ft. 6 in.) clearance distance from all around the product following NEC table 110.26 condition 2, 151-600V.



NOTICE

It is recommended to conduct Wi-Fi and 3G/4G signal strength while charger installation. The RSSI (Received Signal Strength Indication) value is considered as good as higher than -65dBm. Poor connection quality might interrupt charging process or data transaction.

3.1.1 Contractor Safety guide

Introduction

- A safe work environment for everyone - participants, installation and demolition crews, contractors and subcontractors.
- Ultimately, it is the responsibility of contractors to ensure the safety and safe work practices of their employees and subcontractors who may be working at the site on their behalf.
- This guide provides a simple reference guide with basic rules for implementation. This guide does not outline every single safety standard: it is designed to be a supplement to participants, contractors and subcontractors.
- Contractors, subcontractors and employees should cooperate with their employers and other persons in complying with safety regulations and instructions.

In particular, employees should:

1. Obtain the qualified authorization of the responsible unit in the construction area.
2. Work safely.
3. Not do anything to endanger themselves or other persons.
4. Use personal protective equipment as required and take reasonable care of it when it is not in use.
5. Report unsafe activities immediately to supervisors or the responsible person in control of the workplace.
6. Report all accidents and dangerous occurrences to the supervisor immediately after they happen .

1. Requirements for workplace conditions

- Set up suitable fencing to isolate the construction area from outside
- Close and secure all entrances when the site is unattended
- Hang warning notices nearby which show the following information: warning icon and phone number of person in charge
- Install sufficient lighting fixtures



2. Cleaning up

- Keep work areas (including accessways) free from debris and obstructions
- Keep ground surfaces tidy and flat, to avoid people tripping or being hurt by tools or other objects
- Stack and store equipment and materials in a tidy and stable manner
- Regularly clean up and dispose of waste
- Remove all surplus materials and equipment after completion of work



3. Fire hazards

- Beware of flammable materials and goods. Keep them away from work areas.



4. Protection against high temperatures on the worksite

- Erect a sunshade or shed to shelter workers from the heat and sun
- Set up cooling equipment, such as exhaust fans
- Make water dispensers available
- Provide suitable protective clothing such as hat, sunglasses and long sleeves to protect workers from heat stroke and UV rays



5. Inclement weather

- Secure all scaffoldings, temporary structures, equipment, and loose materials
- Check and implement SOP to ensure disconnection of gas supplies, electrical circuits and equipment
- Inspect worksites to ensure protection against ingress of water or dust
- Inspect the drainage system for blockages and remove if found
- Stop all outdoor works except for emergency works



6. Ladders

- Only use ladders that meet local safety regulations
- Do not use wooden ladders
- When working at height, it is recommended to use platforms instead of ladders
- If using a platform is not practicable, a supervisor should assess the potential risk and provide safety

- protection equipment for workers
- Use non-conductive ladders made of glass-fiber or reinforced plastic when carrying out electrical work
- Assign assistants to provide support when working on ladders
- Check all ladders for broken rungs or other defects before use and periodically
- Fully open stepladders when in use
- Do not stand on the top two rungs of a ladder
- Do not overreach when working on a ladder
- Beware of overload restrictions

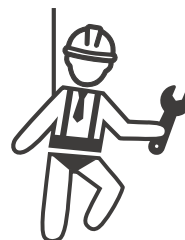


Country	Standards
British	BS1129,BS2037,EN131,EATS13/1
USA	ANSI A 14.1,ANSI A 14.2,ANSI A 14.5
Australia New Zealand	AS 1892.2-1922,AS/NZS1892.1,AS/NZS 1892.3
Canada	CSA Z11 M81

Common Standards for Ladders

7. Working at height

- Avoid working at height by using alternative tools and methods as far as practicable
- It is strongly recommended to build suitable scaffolding or work platforms
- Provide fall arrest systems for workers if it is impracticable to use working platforms
- Secure all materials and tools to prevent them falling from height



8. Lifting operations

- Have lifting gear and apparatus regularly inspected and tested by qualified persons
- Isolate and cordon off lifting areas to keep out non-construction personnel
- Ensure that lifting routes do not cross buildings or people, and avoid collision with objects
- Do not exceed safe working load limits



9. For on-site workers

- Plan all work
- Turn off power (work with live parts de-energized whenever possible)
- LOTO (Lock Out, Tag Out)
- Live electrical work permit (input terminals with HV after door open)
- Use personal protective equipment (PPE)
- Safe workplace conditions and space
- Adhere to other occupational health, safety and security codes, such as those published by OSHA



10. Reference standards

Adhere to the following codes:

- NFPA-70E -2021 Sec 110.3 (Electrical Safety in the Workplace)
- NFPA-70E -2021 Sec 130.4 (Shock Risk Assessment)
- NFPA-70E -2021 Sec 130.5 (Arc Flash Risk Assessment)



3.2 Grounding and Safety Requirement

- The product must be connected to a grounded, metal, permanent wiring system. Connections shall comply with all applicable electrical codes. Recommend the ground resistance be less than 10 Ω .
- Ensure no power is connected at all times when installing, servicing, or maintaining the charger.
- Use appropriate protection when connecting to main power distribution network.
- Use appropriate tools for each task.



CAUTION: The disconnect switch for each ungrounded conductor of AC input shall be provided by installation contractor or technician in accordance with the National Electric Code, ANSI/NFPA 70.



CAUTION: A cord extension set or second cable assembly shall not be used in addition to the cable assembly for connection of the EV to the EVSE.

3.2.1 Service Wiring

- Ground Connection

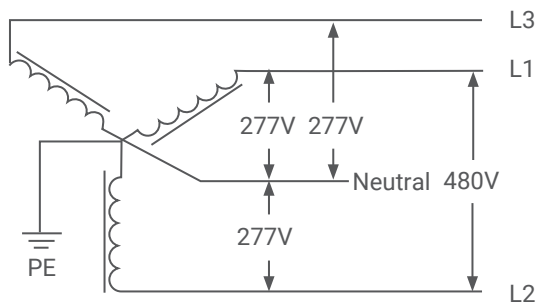
Always connect the Neutral at the service to Earth Ground. If ground is not provided by the electrical service then a grounding stake must be installed nearby. The grounding stake must be connected to the ground bar in the main breaker panel and Neutral connected to Ground at that point.

- 480Vac Three-Phase(Line to Line)

CAUTION!



This is feed from Wye-connection power grid, the Standalone DC Fast Charger can connect to L1, L2 or L3, and Neutral. Earth ground must be connected to neutral at only one point, usually at the breaker panel.



480V Three-Phase Wiring Connection



DANGERS

Be Aware of High Voltage!

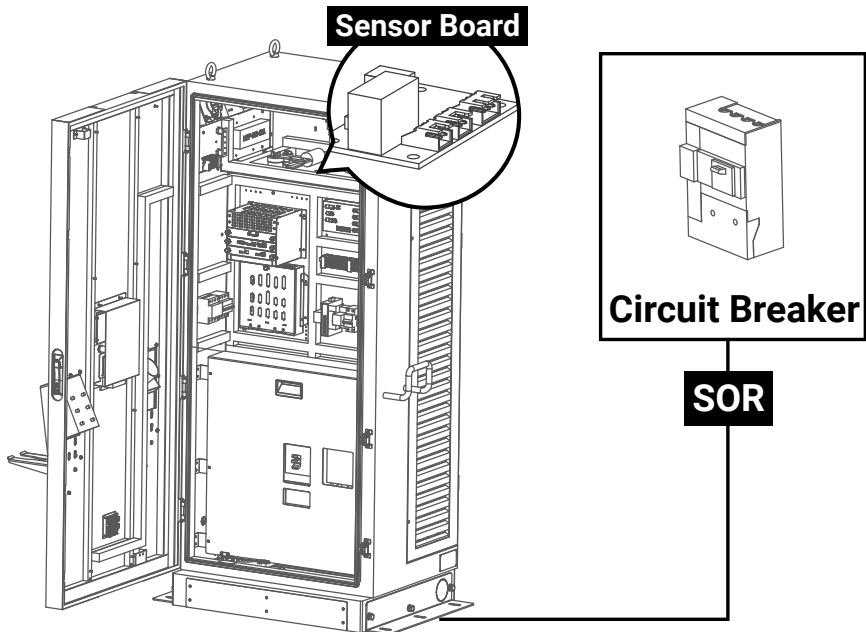


WARNING!

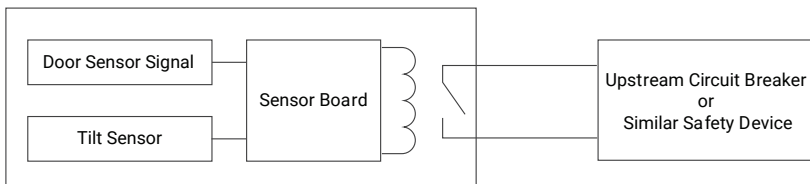
Earth Connection is Essential!

3.3 Install Sensor Board for Safely Shutting Down

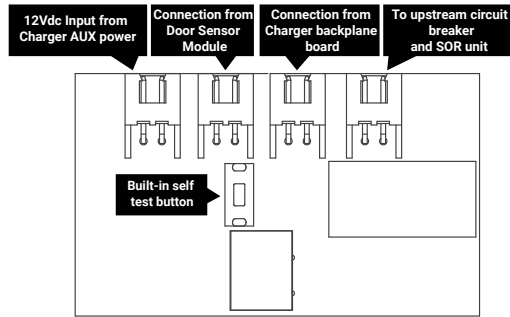
- 1. Introduction:** To prepare a control board which includes door sensor sensing function and tilt sensor, also dry contact points for extending wiring to upstream circuit breaker in order to cut off power immediately when sensors triggered. This board also has self-test button which uses to verify if it functions properly no matter in production line or in installation site or during regular maintenance service.



2. Function Block Diagram:

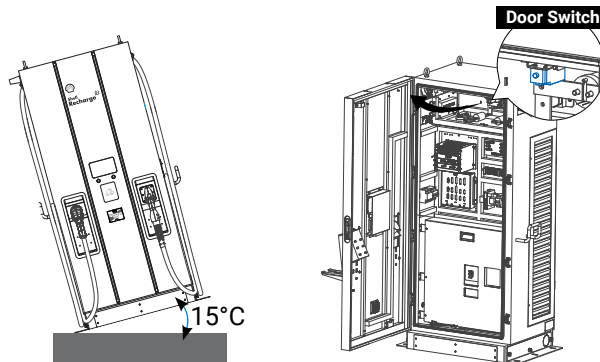


3. Connecting Sensor Board:

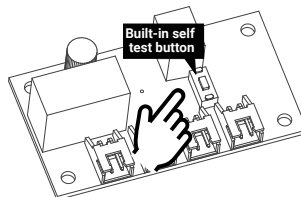


4. Sensor Board Functions:

- a) When either door sensor or tilt sensor been trigger, it will send a voltage to trip off or open or cut off power of upstream circuit breaker, it is also knowns as "shunt release" which you can find more description on internet.



- b) When upstream circuit breaker been cut off, the charger will be totally shut down then goes into "off line" status immediately, it won't be recover remotely, only relies on service people to be presented on site.
- c) This board has self-test button which is able to test if it functions properly no matter in production line or in installation site or during regular maintenance service.



**NOTICE**

Once the power been from upstream circuit breaker, in order to get power back to charger's auxiliary power supplies for maintenance purpose, please disable door limit switch before recovery circuit breaker.

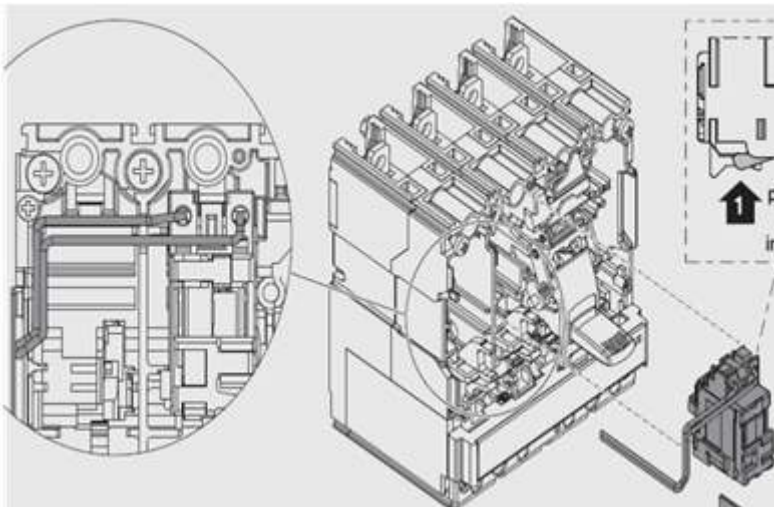
5. Upstream circuit breaker selection and aux power preparation:

Constructor or CPO is mandatory to select a circuit breaker which with “shunt release accessory” or relevant devices so that the safety function can be activated. If you need any recommendation models of shunt release, please contact your local agent. Below are examples of SOR reference models from ABB:

Below are reference SOR reference models from ABB:

12V : SOR-C 12V DC (1SDA066321R1)

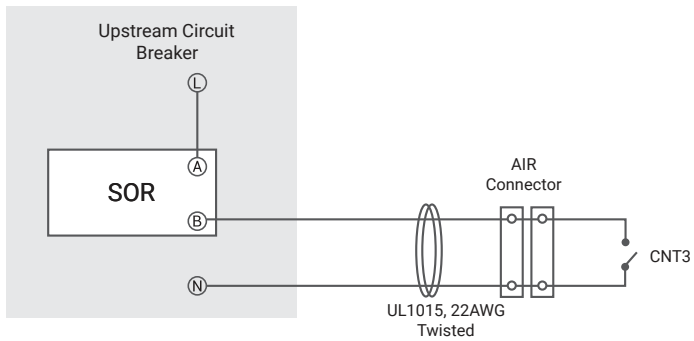
24V : SOR-C 24-30V AC/DC (1SDA066322R1)

**NOTICE**

For the parts of SOR, maximum 277Vac withstand voltage is required.

6. Wires Spec Selection:

The wires from sensor board to upstream circuit breaker is recommended UL1015 22AWG 105°C 600V or relevant.



Control Circuit

3.4 Unpack the charger

- The product is direct current (DC) charger and the packing design passed the packaging simulation test. If the packaging damage caused by overturning, falling or external impact during transportation, it may cause the product damage or defects. If there is any serious damage to the packaging when receiving the goods, please notify the supplier about your findings.
- The product is delivered by transport company to warehouse or specified location where it will be handed over. Transporting the charger to its final location (last mile service) is not standard included in the order.

NOTICE

The delivery truck unloads the pallet carrying the charger. The movement of the charger to its final location is the responsibility of the customer / contractor.



If the TiltWatch indicator is red (tilted over 80 °)

1. Do not refuse the shipment / receipt.
2. Make a notation on the delivery receipt and inspect cabinet for damage.
3. If damage is discovered, leave cabinet in original package and request immediate inspection from carrier within 3 days of delivery.
4. Contact the supplier by mail or phone to address your findings.

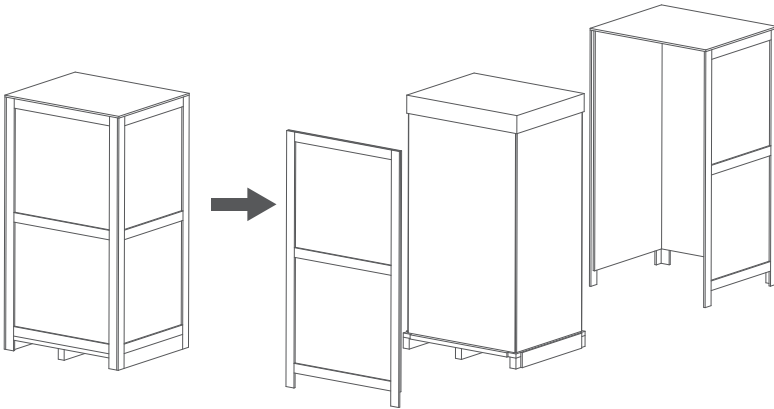


WARNING!

Charger weight might be 470 kg. Charger with package might be 570 kg. Be careful during unpack process.

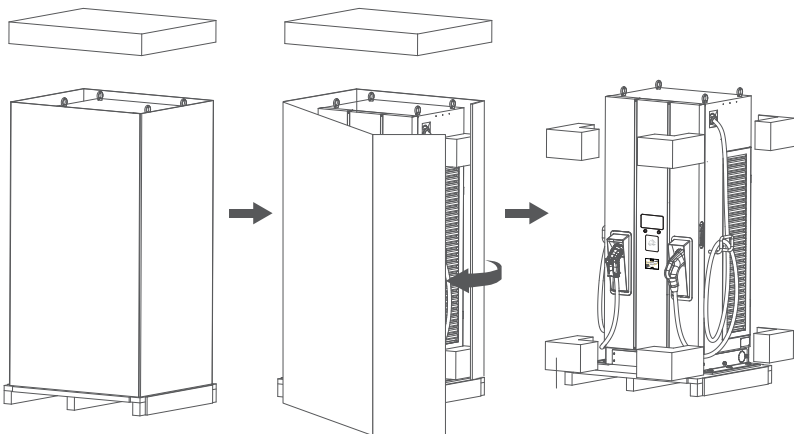
STEP 1.

Remove the surrounding boards



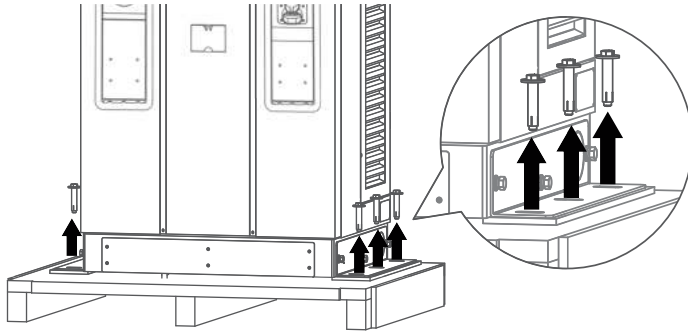
STEP 2.

Remove the carton and packing cushion and film.



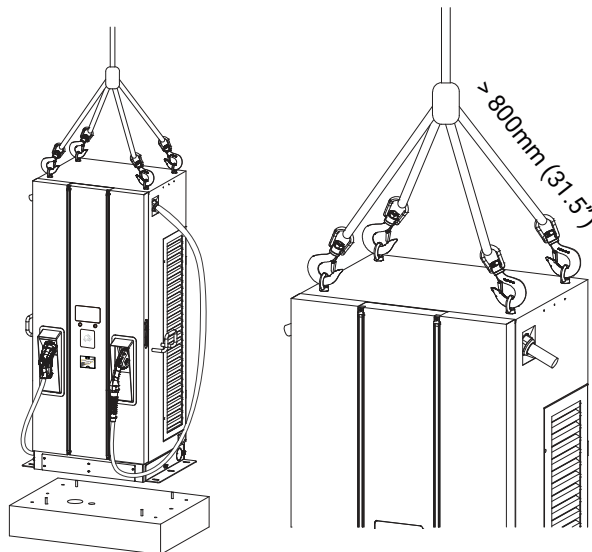
STEP 3.

Remove these 6 pcs of fixing M12 screws.



STEP 4.

To use lifting eye bolts to move the EVSE, please apply 6mm(1/4 inches) diameter steel wire rope to the four eye bolts as following picture.

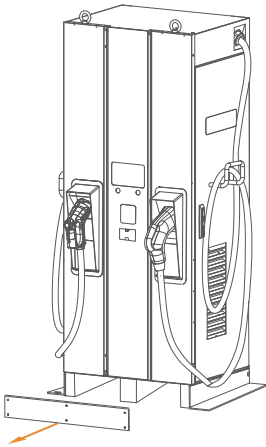


Or use a forklift to move the EVSE.

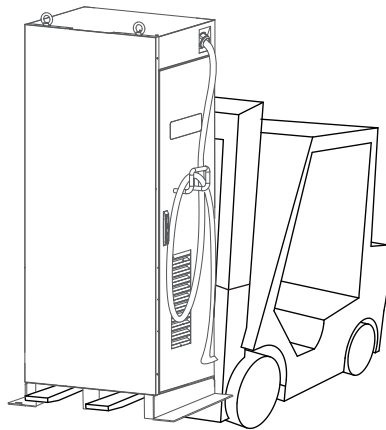
Step 1. Please remove the front and rear bottom trim panels first.

Step 2. Use a forklift to raise the EVSE.

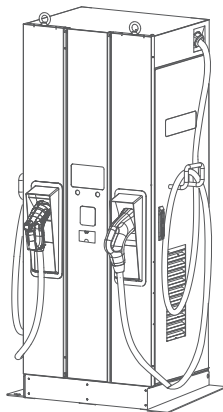
(the fork must be opened to the maximum state)



Step 1



Step 2



3.5 Recommended Tools for Installation and Inspection

3.5.1 Recommended Tools for Installation

Type	Description
Philips Screwdriver	No. 2 and 3
Shifting Wrench	
Socket Screwdriver	No. 8 and 10 and 17 and 19
Electrical Tape	Black / 15mm (0.6") Width
AC Input Cable	350kcmil (177mm ²) for L1, L2, L3, N, and 4AWG (21.15mm ²) for PE. Recommended using 600V, 75 °C, XLPE power cable
Ring Terminal	1. Ring Terminal for L1, L2, L3, N (Inner Diameter: 10.5mm (0.41")) 2. Ring Terminal for PE (Inner Diameter: 10.5mm (0.41"))
Crimping Pliers for Ring Terminal	Hexagonal
Wire Stripper	
Wire Cutters	
Crane / Forklift	<500kg(1102 lbs)

3.5.2 Recommended Tools for Inspection & Commissioning

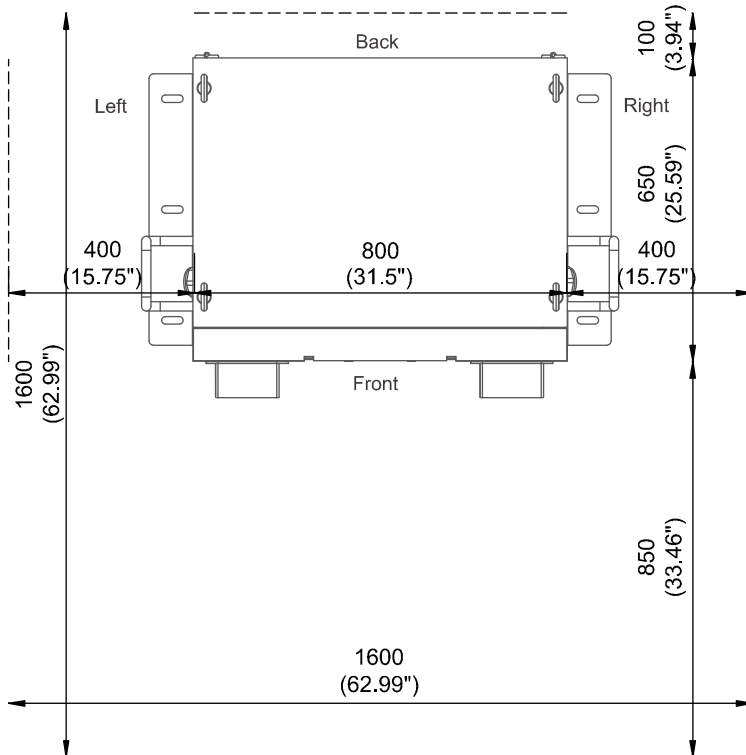
Type	Description
EV or EV Simulator	Meet CHAdeMO/CCS Standard
Multi-meter	1000V
Current Probe	400Amp
RFID Authorized Card	
RFID No Valid Card	
Door Key	
Needle-Nose Plier	
Torque Meter screwdriver	
Laptop or PC & CAT6 cable	For Charger Configuration
Wi-Fi, 3G/4G signal quality checker	If wireless router is used, please do not leave the router in metal box for better signal strength.

3.6 Installation Procedure

3.6.1 Required space for placing and maintaining

Required a space of 1600(62.99") x1600(62.99") mm.This space is calculated as follows:

- Size Charge W x D x H:650(25.59 ") x 800(31.5") x 1900(74.8") mm.
- Front side 850(33.46 ") mm,in order to open the front door.
- Left and right side 400(15.75 ") mm,in order to open left and right door.
- Backside 100(3.94 ") mm,in order to guarantee an unimpeded airflow.

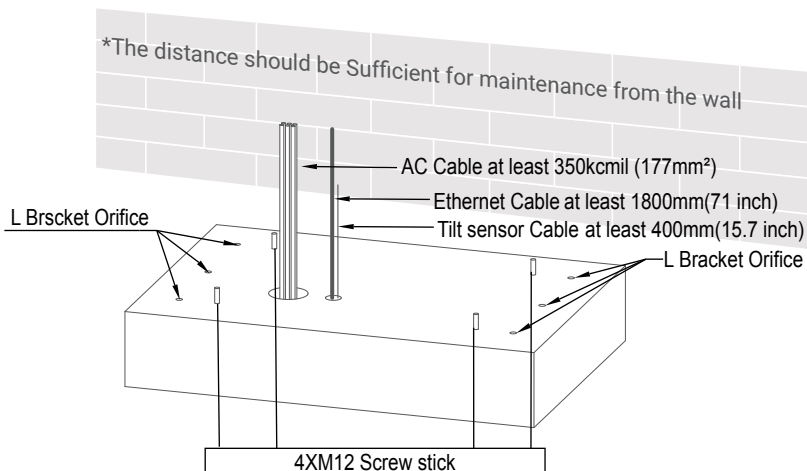


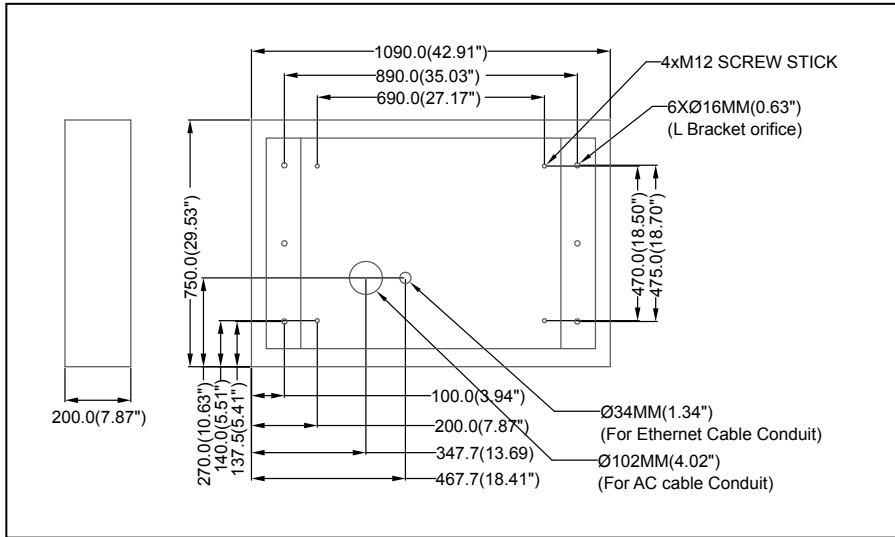
unit: mm (inch)

3.6.2 Build Concrete Base

STEP 1.

1. Build 1090mm x 750mm x 200mm (42.91" x 29.53" x 7.87") concrete base on the level to stand charger in advance.
2. Implant AC input cable conduit less than $\Phi 102\text{mm}$ (eg. 4" PVC conduit), and SFTP Ethernet cable conduit less than $\Phi 34\text{mm}$ (eg. 1 1/4" PVC conduit).
3. And implant 4 pcs of M12 screw stick out the concrete base for 40 mm (1.57") to fix the charger. The positioning of these 4 pcs of M12 screws should be within $\pm 2\text{ mm}$ (0.08") in short axis, $\pm 8\text{ mm}$ (0.32") in long axis according to screw holes of charger.
4. To fit this positioning requirement, a steel plate fixture be suggested. Please create the fixture by the following drawing or order this fixture from your vendor.
5. The other way to fix the charger on concrete base is install 2 of L-brackets accessories outside of charger and drill the screw holes ($\Phi 16\text{ mm}$ (0.63")) on the cement base as drawing below.





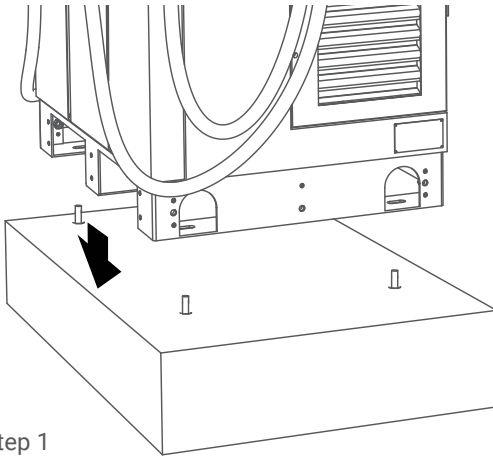
STEP 2.

- Extend 3 phase 5 wires AC input cables from conduit of concrete base, AC cables expose at least 350kcmil (177mm²) for L1, L2, L3, N, and 4AWG (21.15mm²) for PE. These 5 wires should be with ring terminals (L1, L2, L3 & N:Inner Diameter:10.5mm(0.41") & PE:Inner Diameter:10.5mm(0.41").
- If internet is connected via Ethernet, at least 1800mm (71") of the Ethernet cable must be exposed from the conduit.

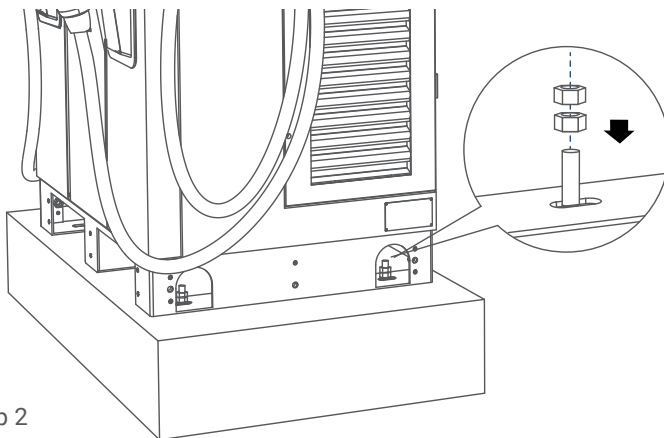
3.6.3 Two Methods of Fixing DS180 Charger

METHOD 1.

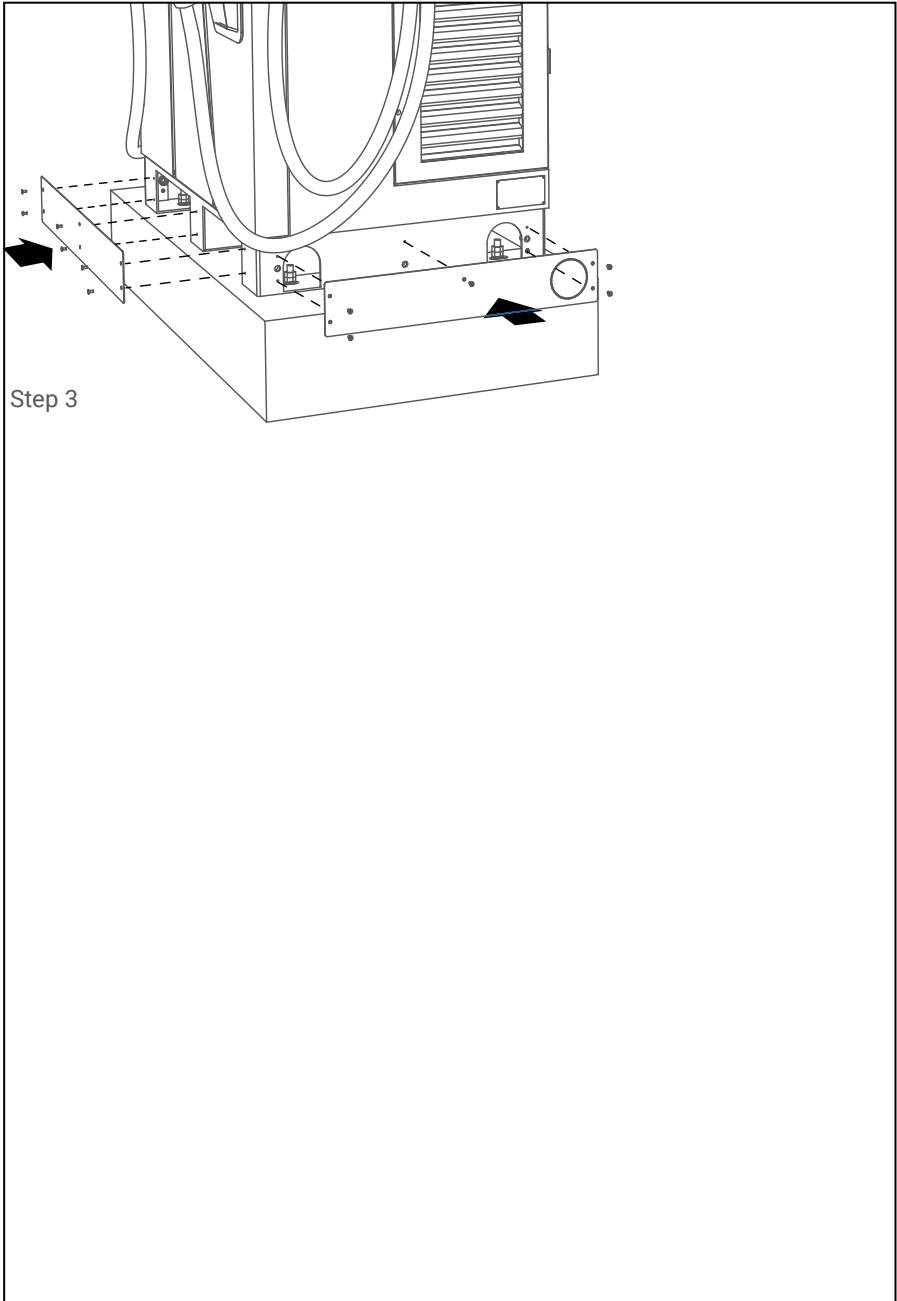
Lift the charger on concrete base, pull the input cable through bottom hole of charger; fasten 8 pcs of M12 screw nuts and 4 pcs M12 washers on 4 pcs of M12 screw of concrete base (2 nuts for each screw) to secure the chargers. Then fix the base cover(in the accessory pack) in charger base.



Step 1

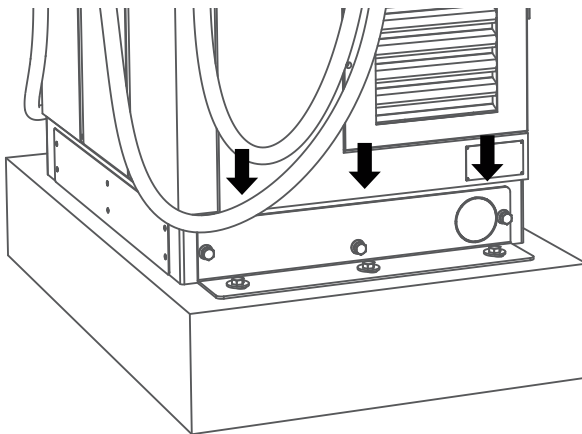
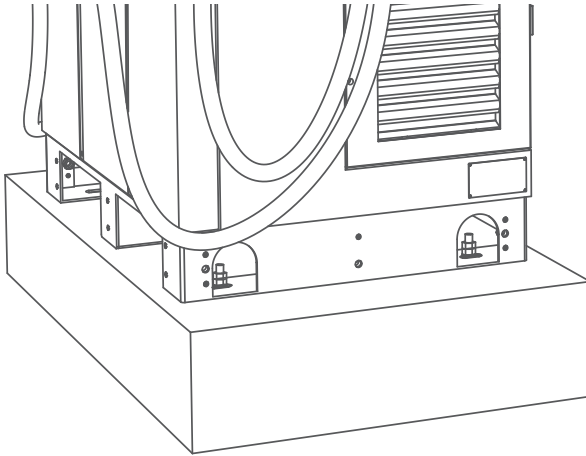


Step 2



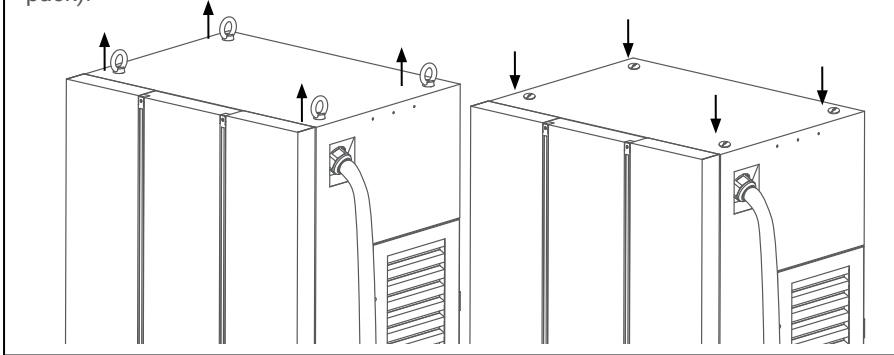
METHOD 2.

If use L brackets to fix charger, secure L brackets on the cement base by 6 PCS M12 expansion bolts.

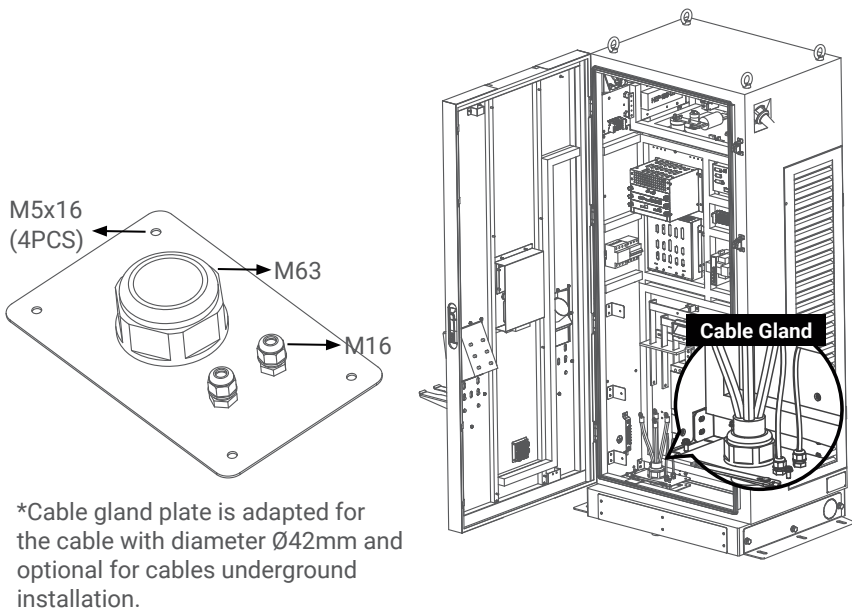


NOTE

If remove the eye bolts on the top of the cabinet, must spread waterproof glue around the hole and assemble the waterproof plastic bolts(in the accessory pack).

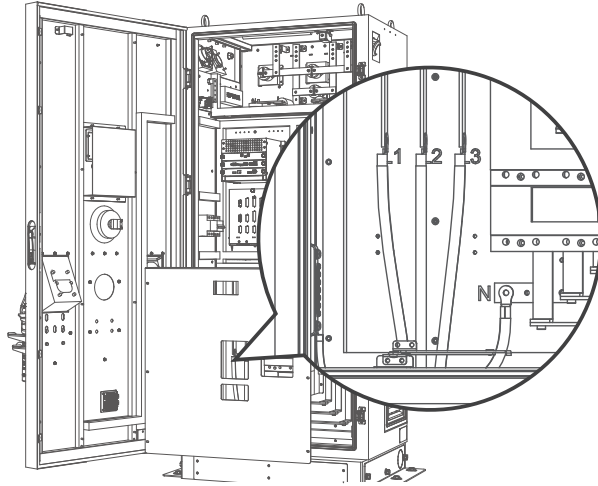


3.6.4 Installing Cables



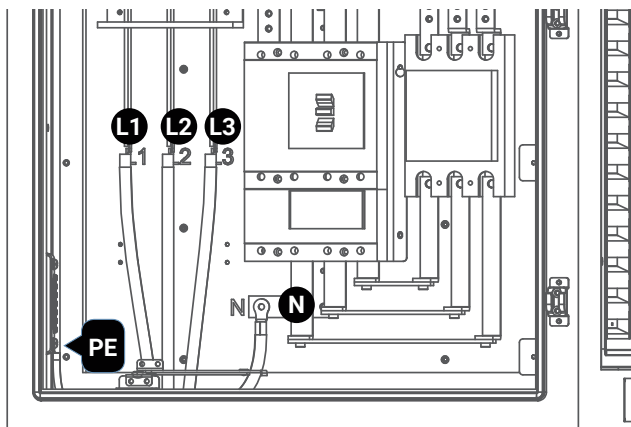
STEP 1.

Open front door and disassembly the protection cover for wiring:



STEP 2.

Connect L1, L2, L3 and N of AC power to 4P terminal. Fasten each wire with proper screw and torque number- 180Kgf.cm/5-15 secs. Connect the PE wire (green with yellow) to Grounding position of Charger and torque number- 220Kgf.cm. Keep proper length of each wires then fasten cable grand.



STEP 3.

Pull AC power cables to power distribution box, connect the Protective Earth wire (Green/Yellow) to ground point of power distribution box. Neutral should be shorted with ground point to meet TN(-S) grounding system. Ethernet cable should be connected to charger RJ45 port (refer to pic. of section 4.1)

STEP 4.

Wiring installation of L1, L2 and L3 of 3 Line wires and Neutral wire to external breaker Recommended breaker spec : Max. input current shall be over or equal to 300A, B Curve type; with max. Residual leakage current (RCD) shall be 30mA, type A.



A breaker with 30mA RCD-Type A is recommended.

STEP 5.

Do inspection as section 3.7.1 to 3.7.3.
Turn on the power source and be ready for operational testing. The power supply of the Standalone DC Fast Charger will be enabled and automatically drive the information screen. Information screen will turn to supplier charging solution screen within 30 seconds.



Not following installation instruction will cause charger damage.

STEP 6.

Use adaptive flame retardants and electrical insulated foaming agent and far from conductive live parts at least 12mm or other method to seal the cable entry hole to assure the IP55 grade of the charger ,and prevent insects enter the cabinet

3.6.5 Screw Torque Requirement Table

Screw in Metric						
Screw size	Screw type	Steel Inch-Lbs	Steel Kgf-Cm	Steel N-m	Aluminum Kgf-Cm	Aluminum N-m
M2*0.4	Machine	3~4.77	3.5~5.5	0.34~0.54	3~4.5	0.34~0.44
M2.5*0.45	Machine	3~4.77	3.5~5.5	0.34~0.54	3~4.5	0.34~0.44
M3*0.5	Machine	5.5~9	6.5~10.5	0.64~1.04	5.2~8.4	0.51~0.82
M3.5*0.6	Machine	8.5~13	10~15	0.98~1.47	8~12	0.78~1.18
M4*0.7	Machine	13~18	15~21	1.47~2.06	12~17	1.18~1.66
M5*0.8	Machine	25~34	29~39	2.84~3.82	23~32	2.26~3.14
M6*1.0	Machine	45~55	52~63.5	5.1~6.22	42~51	4.11~5
M6*1.0	Hex cap	85~112	98~129	9.6~12.65	78~103	7.65~10.1
M8*1.25	Machine	106~141	122~163	11.96~15.98	98~130	9.61~12.75
M8*1.25	Hex cap	205~274	237~316	23.24~30.98	190~253	18.63~24.8
M10*1.5	Hex cap	212~382	245~440	24.02~43.15	196~351	19.22~34.42
M12*1.75	Hex cap	372~668	430~770	42.17~75.49	343~615	33.63~60.3
Screw in Imperial						
2-56	Machine	1.5~2	1.7~2.3	0.17~0.22	1.4~1.8	0.14~0.18
4-40	Machine	3~4	3.5~4.5	0.34~0.44	2.8~3.6	0.27~0.35
6-32	Machine	6~10	7~11.5	0.68~1.13	5.6~9.2	0.55~0.9
8-32	Machine	10~15	11.5~17	1.13~1.66	9.2~14	0.9~1.37
10-32	Machine	16~24	18.5~28	1.81~2.74	15~22	1.47~2.16
1/4-20	Machine	35~46	40~53	3.92~5.2	32~42	3.14~4.11
1/4-20	Hex cap	57~77	66~89	6.47~8.73	53~71	5.2~6.96
5/16-18	Hex cap	119~158	137~182	13.43~17.85	110~145	10.77~14.21
3/8-16	Hex cap	205~274	237~316	23.24~30.99	190~253	18.63~24.82
7/16-14	Hex cap	338~451	390~521	38.24~51.09	312~416	30.59~40.79
1/2-13	Hex cap	515~686	595~792	58.35~77.66	476~634	46.68~62.17

3.7 Installation Inspection & Commissioning

3.7.1 Environmental Check

Item	Status	Remark
Ambient Temperature		
Ambient Humidity		
Sunshade		Recommended but not required.
Rain Canopy		Recommended for better charging experience and maintenance on rainy day.
Installation Altitude		$\leq 2000\text{m}$ (6560 ft)
Air Circulation / Drafty		
Dust Level		
Anti-Vandalism Measures		

3.7.2 External Infrastructure Readiness & Check

Item	Status	Remark
Input Wirings & Terminals		Type/ Length/ Cross Section
Key & Lock of Cabinet Door		
Fixing Screws		Type / No.
MCCB (Moulded Case Circuit Breaker)		Current rating of MCCB shall be higher than or equal to 300A, 4Port(for L1,L2,L3,N wire)
Residual Current Device (RCD)		Maximum RCD residual current shall not excess 30mA
Input Electricity Capacity		
Input Electricity Configuration		Wye
Grounding Resistance		$<10\Omega$
Grounding System		TN/TT
Grid Voltage & Frequency		

3.7.3 EVSE Check – Static (Non-Powered)

Item	Status	Remark
Outlook		No dent, rust ,scratch
Labeling & Warning Signs		
Package (Accessory) List		
Robustness of Input Wirings & connection		Refer to section 3.6.5 Screw torque requirement table

3.7.4 EVSE Check - Power On



WARNING!

Improper connection of the EVSE grounding conductor can result in a risk of electric shock. Please ensure the EVSE is properly grounded prior to energize it.

Item	Status	Remark
Power On		
Screen On		
Acoustic Noise		
Screen Display & Function		
Time Display Correctly		
Network Connection Quality		
Cooling Fans Operation & Noise		
Led Status Indication		
EVSE Setting		
Function of Engineer Mode		
Version of H.W. & F.W.		
Remote Control & Monitoring		
Backend Server Connection		
Network Connection & Quality		Wi-Fi , 3G/4G > -65dBm

3.7.5 EVSE Check - Charging

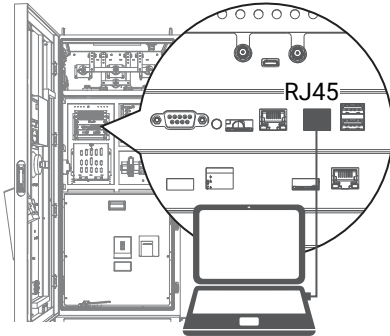
Item	Status	Remark
User Authorization –RFID		
User Authorization –QR Code		
User Authorization –Others.		
Waiting Time of Connection Check		
Reading of Each Display Item		
Full Charge Test		Temperature Reading
Function of Electronic Lock		
Reading of Engineer Mode		
Airflow & Noise of Cooling Fan		
Charging Record (log) Upload		
Remote Control & Monitoring		

3.7.6 EVSE Check –System Power Button

Item	Status	Remark
Emergency Stop Button & Recovery		<p>Set the rated load state, press the emergency stop button, the charger should be cut off output immediately.</p> <ol style="list-style-type: none"> 1. The charger stops charging and alarm when press the emergency stop button. 2. When the button is released and the gun is pulled, the EVSE returns to standby status.
Tilt sensor and Door open sensor trigger & Recovery		<p>Push self-test button then upstream circuit breaker will be cut off.</p>

4. Network Setting

4.1 Wi-Fi Network Setting



- Laptop with RJ45 interface.
- Connect RJ45 cable from Laptop to charger's RJ45 port.
- Setup parameters in the Webservice.
- Input RJ45 connector port is for engineer use for maintenance.

Use the following IP address:

IP address:

Subnet mask:

Default gateway:

Step 1.

Before opening web browser, please enter network setting to set your IPV4 static IP to 192.168.1.1 in PC

login https://192.168.1.10

Account

Password

Step 2.

Open web service browser, type the IP address of charger "192.168.1.10" into the URL bar to access the web page of charger.

- Account: admin
- Password: 1231231238

SET UPGRADE OTHER LANGUAGE

System

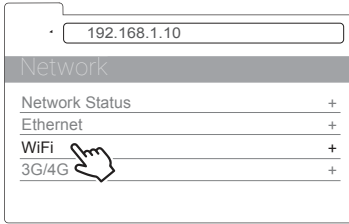
Charging

Network

Backend

Step 3.

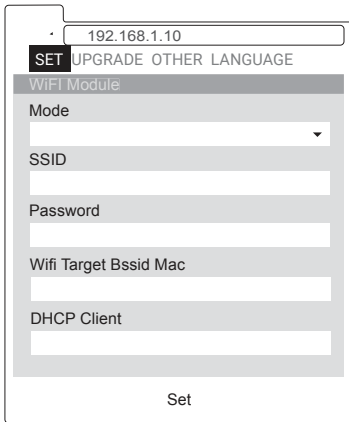
SET -> Network.



Step 4.

Select Wi-Fi Module

Select Wi-Fi modes and fill in SSID and Password according to your application, if not required, just keep default.



Wi-Fi Setting	Description
Mode	Enable(station) or disable or set as AP mode
SSID	Service Set Identifier SSID
Password	Password to access to Wi-Fi
Wifi Target Bssid Mac	Fill in designated AP Mac if needed
DHCP Client	DHCP client of Wi-Fi



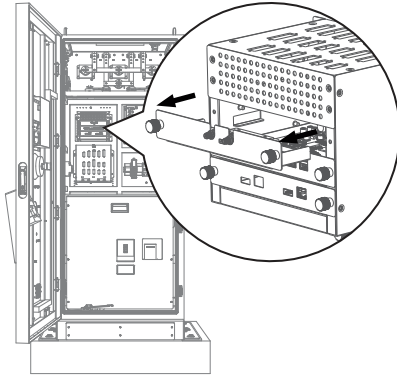
WARNING: Due to the different environmental conditions, it is recommended to conduct Wi-Fi and 3G/4G module network signal tests before installation. The RSSI (Received Signal Strength Indication) value suggest to be higher than -65 dBm. If it is lower than this value, it may cause the risk of abnormal Wi-Fi or 4G connection quality or disconnection since the influence of external interference in the environment.

4.2 3G/4G Setting

4.2.1 SIM Card Installation

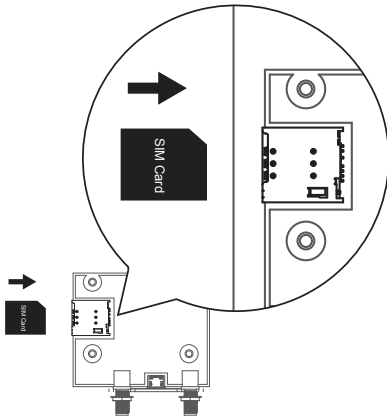
Step 1.

Pull out the first tray from the CSU box. And you can see the 4G/Wi-Fi module inside the cabinet.

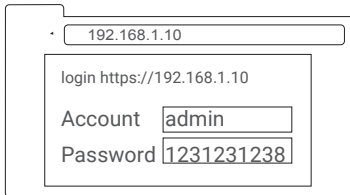


Step 2.

Insert 3G/4G Micro SIM Card in the tray, ensure the gold contacts are facing down and the notch is located in the upper right corner. Note the tray might be damaged if insert SIM card in wrong direction.

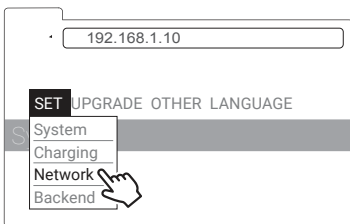


4.2.2 Setting and Enable 3G/4G Module.



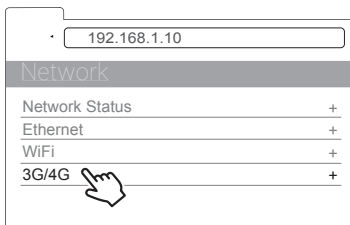
Step 1.

- Please contact your SIM provider to get the APN, PPP ID and password.
- *Note: PPP ID and password maybe options depend on your SIM provider.
- Open the web page of charger and sign-in.



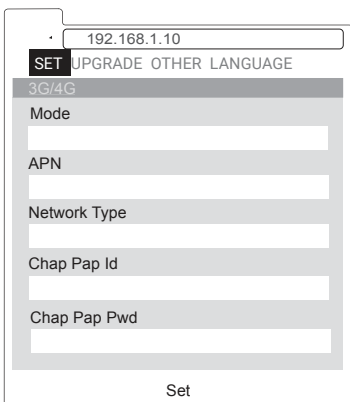
Step 2.

SET -> Network.



Step 3.

- Network -> 3G/4G Module to fill corresponding information into TelcomApn, TelcomChapPapid and TelcomChapPapPwd.
- Please contact your SIM provider to get the APN, PPP ID and password if necessary.
- Click " Set" to finish the setup process. The 3G/4G will be activated shortly.



3G/4G setting	Description
Mode	Disable or enable 3G/4G
APN	Local telecom
Network Type	2G/3G/4G or auto
Chap Pap Id	Login ID authentication
Chap Pap Pwd	Login password authentication

4.3 Time setting

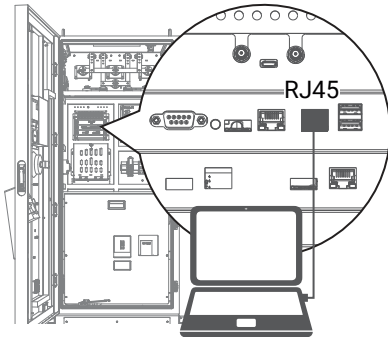
Automatic setting : The time will be adjusted automatically when the charger connects to internet.

Time server :

- time.windows.com
- cn.ntp.org.cn
- tock.stdtime.gov.tw

Note:Firewall and network environment may influence the time server connection

Manual setting :



Step 1.

- Laptop with RJ45 interface.
- Connect RJ45 cable from Laptop to charger's RJ45 port.
- Setup parameters in the Webservice.
- Input RJ45 connector port is for engineer use for maintance.

Step 2.

Before opening web browser, please enter network setting to set your IPV4 static IP to 192.168.1.1 in PC

Use the following IP address:

IP address:

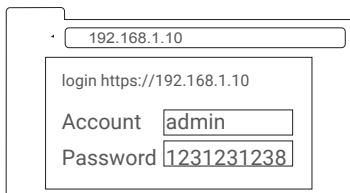
Subnet mask:

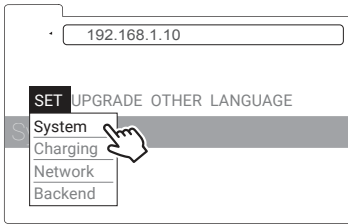
Default gateway:

Step 3.

Open web service browser, type the IP address of charger "192.168.1.10" into the URL bar to access the web page of charger.

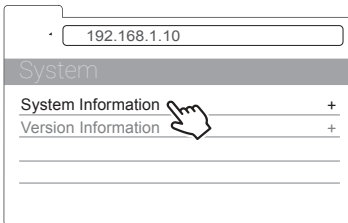
- Account: admin
- Password: 1231231238





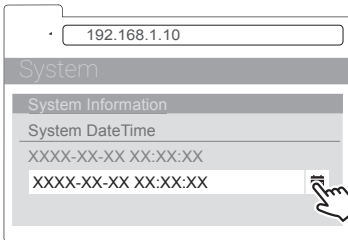
Step 4.

SET -> Network.



Step 5.

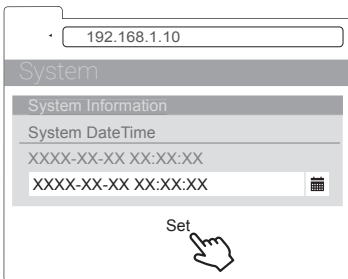
Click "System information".



Step 6.

Click system date time.

Click the calendar button on the right to set the current time.



Step 7.

After the setting is completed, click SET and wait until the setting completion window appears.

5. Operation Process

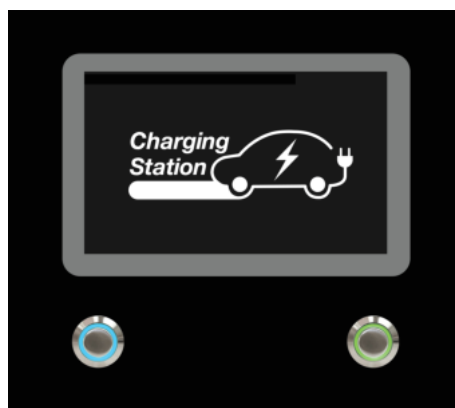
5.1 Operating Sequence

- System Initialization
- User Authorization
- Plug in DC Charging Connector
- Preparing for Charging
- In Charging
- Charging Terminated
- Status Messages

5.2 Operating Procedure

5.2.1 System Initialization

- When the charger is powered on, it starts with the “Charging Station” Initializing page.
- You will see the below image on the screen after powering on and the system is initializing.
- The initializing process will take around 2 minutes, then shows home page.



Initializing page



Home page

Unit and currency if billing function is enabled

- Ethernet Backend Status



- Wi-Fi Status



- 3G/4G Status



- OCPP Backend Status



5.2.2 User Authorization

- After the system is initialized the screen will stay at Home page as below illustrated.
- Use your RFID card or mobile app to authorize the use of the EVSE.



Home page

User authorization Method: RFID, QR code and mobile APP.

- Unauthorized method(s) will be darker on the screen if the method is disable.



User authorizing



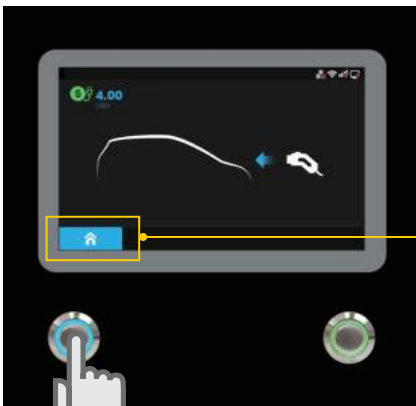
User authorized.



Authorization failed

5.2.3 Plug in Charging Connector

- After authorization the screen will ask the user to plug the charging connector into the EV charging inlet as below illustrated.
- Take the Charging connector from the charging cable holder and plug the connector into EV charging inlet. The charger will automatically detect the type of the charging connector.
- It will normally take less than 10 seconds to start the process after completing the physical connection of charging connector to charging inlet. To terminate this session, please press the left button to return to the Home page

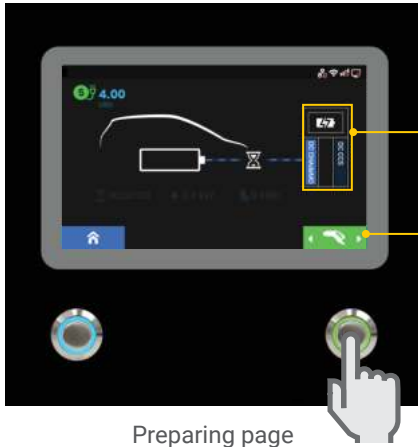


Press left button to terminate this charging session and then return to Home page.

Plug-in page

5.2.4 Prepare for Charging

- After authorization and plug-in process, the charger will start communicating with the vehicle and the screen will show the Preparing page as below illustrated.



Preparing page

Information of Selected Charging Connector

Connector Select Button

Press right button to select the charger connector that the user would like to use.

5.2.5 In Charging

- The screen will show the Charging Page as below illustrated once the charger goes into the ready to charge stage.



Charging page

EV battery SOC

Show the selected connector in use

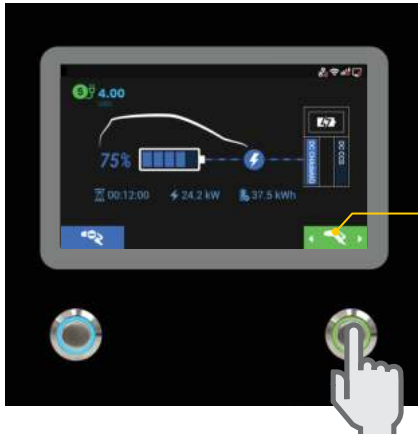
Charging information area

 Charging duration

 Charging power

 Energy

- When the battery has been fully charged or reaches the limit of the setting, it will stop charging automatically and go to the next process.



Press right button to select the charger connector that the user would like to stop.

- User also can tap the RFID to stop charging.



Tap RFID card or push stop button to stop

5.2.6 Charging Terminated



- After charging is terminated the charger system will show the Charging Summary page as below illustrated and the charging connector will automatically unlock.
- Unplug the charging connector from charging inlet of the EV and return the charging connector to charging cable holder.
- The screen will go back to the Home Page or the other charging connector's Charging Page if unplugged from the charging connector.
- During simultaneous charging the screen will go to the other charging connector's Charging Page if either charging connector is unplugged.



Charging summary page

Charging duration
Charging power
Charging energy

5.2.7 Status Messages

- When problems occur with this charger or the charging process a status code will display on screen as below illustrated. Please follow the troubleshooting table to solve the problem.



Status Code

5.3 Troubleshooting

- Please follow the instruction in the table when errors occur during the charging process.
- Or please connect the EVSE to the Internet and then contact the EVSE provider for further instructions.
- Please provide the EVSE information including serial number, model name, status code, failure behavior and time, and also connect the EVSE to the Internet for remote diagnostics and upgrading.
- If an emergency occurs push the Emergency Stop Button to stop charging immediately.

5.3.1 Troubleshooting Guide for End User

When charging fault occurs, user may eliminate fault status by following steps.

Conditions	Troubleshooting guide
Black screen	Please contact your dealer.
Stuck on boot or service screen	Please contact your dealer.
Card tapping or QR code scanning failed	<ol style="list-style-type: none"> 1. Invalid RFID card or insufficient balance. 2. Card reader failure or other faults; please contact your dealer.
Indication page returns from cable plugging to selection	<ol style="list-style-type: none"> 1. Please make sure the charging cable selection is correct. 2. Please make sure the charging cable has been plugged in completely with a “clicking” sound, and the gun button cannot be pressed. 3. Please check the charge port indicator or meter whether the charge function is failed. 4. Please try again with other chargers. If the situation keeps the same, the EV perhaps unable to charge, please send the EV for service. 5. Charging cable or control guide invalidated, please contact your dealer.

Conditions	Troubleshooting guide
<p>Indication page transfer from charging preparation to settlement directly</p>	<ol style="list-style-type: none"> 1. Please unplug the charging cable and try again. 2. Please check the EV charge port indicator or meter whether the target charging limit has been done or terminated before default charging time. 3. Drive the EV away for few meters / feet and return, then try again. 4. Please contact your dealer.
<p>Indication page transfer from charging preparation to settlement directly</p>	<ol style="list-style-type: none"> 1. Please unplug the charging cable and try again. 2. Please check the EV charge port indicator or meter whether the target charging limit has been done or terminated before default charging time. 3. Drive the EV away for few meters / feet and return, then try again. 4. Please contact your dealer.
<p>Stuck on SOC 100% or 0% settlement page without charging</p>	<ol style="list-style-type: none"> 1. Please check EV charge port indicator or meter, whether full charged, the target charging limit is done or stopped before default charging time. * 2. Please unplug the charging cable and try again. 3. Please contact your dealer.
<p>Charging complete but the charger did not release EV</p>	<ol style="list-style-type: none"> 1. Please unlock the EV, press the button of HV charging port cover, and try to unplug again*. 2. Turn the startup switch on and off, then try to unplug again. 3. Lock the EV doors and release, then try to unplug again. 4. Turn the EV air conditioner off, then try to unplug again. 5. Please release by EV manual unlock switch. 6. If there is no manual unlock, please turn off or reset the charger. 7. Contact your EV company or dealer.

5.3.2 Troubleshooting - No Status Code

Conditions	Troubleshooting guide
Black screen	<ol style="list-style-type: none"> 1. Incorrect input power or connection fault, please supply power correctly and reset the power. 2. Charger auxiliary power, display, or other faults. Please contact your dealer.
Stuck on boot or service screen	<ol style="list-style-type: none"> 1. System is in update or self-check procedure, please wait. 2. Other faults of charger, please reset the power or restart the charger. 3. Please contact your dealer.
Card tapping or QR code scanning failed	<ol style="list-style-type: none"> 1. Invalid RFID card or insufficient balance. 2. Contact management staff to check internet connection between charger and Back-End server. 3. Code scanning or Back-End authorization failed; please contact management staff. 4. Card reader failure or other faults; please contact your dealer.
Indication page returns from cable plugging to selection	<ol style="list-style-type: none"> 1. Please make sure the charging cable selection is correct. 2. Please make sure the charging cable has been plugged in completely with a “clicking” sound, and the gun button cannot be pressed. 3. Please check the charge port indicator or meter whether the charge function is failed. 4. Please try again with other chargers. If the situation keeps the same, the EV perhaps unable to charge, please send the EV for service. 5. Charger control guide failed. Please turn off and restart the charger. 6. Charging cable or control guide invalidated, please contact your dealer.

Conditions	Troubleshooting guide
Indication page transfer from charging preparation to settlement directly	<ol style="list-style-type: none"> 1. Please unplug the charging cable and try again. 2. Please check the EV charge port indicator or meter whether the target charging limit has been done or terminated before default charging time. * 3. Drive the EV away for few meters / feet and return, then try again. 4. Charger handshaking failed, please reset, or turn off and restart the charger. 5. Please contact your dealer.
Stuck on SOC 100% or 0% settlement page without charging	<ol style="list-style-type: none"> 1. Please check EV charge port indicator or meter, whether full charged, the target charging limit is done or stopped before default charging time. * 2. Please unplug the charging cable and try again. 3. EV messages load failed. Please turn off and restart the charger. 4. Please contact your dealer.
Charging complete but the charger did not release EV	<ol style="list-style-type: none"> 1. Please unlock the EV, press the button of HV charging port cover, and try to unplug again. * 2. Turn the startup switch on and off, then try to unplug again. 3. Lock the EV doors and release, then try to unplug again. 4. Turn the EV air conditioner off, then try to unplug again. 5. Please release by EV manual unlock switch. 6. If there is no manual unlock, please turn off or reset the charger. 7. Contact your EV company or dealer.

*Each model of EV contains different charging condition and gun release method, please refer to your user manual.

5.3.3 (011-XXX) Troubleshooting - Error Code

011-XXX contains charger's parts or connection fault message; please unplug charging connector, turn power off, reconnect the issued part and then power on the unit. If same error code be displayed, then must be serviced by qualified technician. Please contact your dealer.

5.3.4 Troubleshooting - Warning Code Form

Status Code	Conditions	Troubleshooting methods
012200 ↓ 012214	Abnormal input voltage	<ol style="list-style-type: none"> 1. Charging can be enabled after electrical grid supply regularly. 2. Please check the input power or turn off and restart the charger. 3. Please contact your dealer.
012223 ↓ 012232	Abnormal environment or devices temperature	<ol style="list-style-type: none"> 1. Keep the air flow inlet and outlet clear or remove heat sources, charging will be enabled after cooling down. 2. Maloperation of over temperature protection or devices over temperature. Please contact your dealer.
012241 ↓ 012244	External network disconnected	<ol style="list-style-type: none"> 1. Code scanning or app authorize application are unavailable for the moment, please change to RFID or other authorizations. 2. Please contact network management staff for network inspection.
012251	Emergency switch is pressed	<ol style="list-style-type: none"> 1. Please release the emergency switch by rotating, charging will be enabled after warning code is removed. (Meanwhile, if it shows service page, please rotating back the switch, turn off and restart the charger) 2. Please contact your dealer or turn off and restart the charger.
012252	The cabinet door has been opened	<ol style="list-style-type: none"> 1. Please close the cabinet door, charging will be enabled after warning code is removed. 2. Door open sensor is shifted, please screw the sensor on the fixed position. 3. Maloperation of door open sensor, please contact your dealer for further instruction.
012304	Communication error between power and charging gun cabinet	<ol style="list-style-type: none"> 1. Please make sure the ethernet cable connection between cabinets to be reliable. 2. If there is no green light solid on power cabinet, please reset it. 3. Please contact your dealer for further instruction.

5.3.5 (013-XXX) Troubleshooting-Message Code from Charger

Code 013-XXX contains setup, maintenance, or reference hint messages, generally there is no impact on charging. Please charging with general process and contact your dealer.

5.3.6 (023-XXX) Troubleshooting - Message Code from EV

023-XXX contains messages from EV, it means communication or charging procedure error, these errors cause charging or cable unplug cannot be proceeded. Please refer to your EV manual for charging setup or backup procedure, then eliminate fault status by following steps, or contact charger management staff.

- 1) Unplug the charging cable and wait for 5 more seconds. Plug the charging cable completely with a “clicking” sound and try the charging procedure again.
- 2) Unplug the charging cable, try with the other one or charger.
- 3) Unplug the charging cable, drive the EV away for few meters / feet and return, stop the EV, unplug the key, and try again.
- 4) After unplugging the charging cable, check the EV whether charging mode and time limit have been enabled.
- 5) If the charging process cannot be started and EV meter or charging indicator shows abnormal status or error messages, please follow your EV user manual for troubleshooting.
- 6) After unplugging the charging cable, contact management staff to turn off restart the charger and try again.
- 7) If charging terminated but the charging cable cannot be unplugged, please follow the EV user manual, press release button (on EV or remote controller) or manual unlock switch. If all these methods are unavailable, please contact management staff to turn off and restart the charger.

Status Code	Conditions	Troubleshooting methods
23758	EV side feedback code procedure error	<ol style="list-style-type: none"> 1. Please unplug the charging cable, release EV side charging limit, and try again. 2. Please follow step 1~7 for troubleshooting.
23809	Charger missed the first message from EV	<ol style="list-style-type: none"> 1. Charging cable is not locked by EV side, please unplug, and plug the charging cable completely with a “clicking” sound. 2. Please follow step 1~7 for trouble shooting
23814	EV side hand shaking feedback incorrect	<ol style="list-style-type: none"> 1. Please unplug the charging cable, restart BMS on EV side, and try again. 2. Please follow step 1~7 for troubleshooting.
23844	EV side V2G communication time out	<ol style="list-style-type: none"> 1. Please unplug the charging cable, restart BMS on EV side, and try again. 2. Please follow step 1~7 for troubleshooting.
23847	Charging cable insulation test time out	<ol style="list-style-type: none"> 1. Please unplug the charging cable and try again. 2. Please unplug the charging cable, restart the charger, and try again.
23889	Noise interference or charging terminated from EV side causes control guide status error	<ol style="list-style-type: none"> 1. Please unplug the charging cable, restart BMS on EV side, and try again. 2. Please follow step 1~7 for troubleshooting.
23891	Charger not ready	<ol style="list-style-type: none"> 1. Please unplug the charging cable, wait for 5 more seconds, and try again. 2. Please unplug the charging cable, restart the charger, and try again.
23983	Charging terminated by unknown request from	<ol style="list-style-type: none"> 1. Check whether charging target or time is limited. 2. Follow the EV operating indication for troubleshooting. 3. Please unplug the charging cable, restart BMS on EV side, and try again..

5.3.7 (033-XXX) Troubleshooting-Message Code from Charger Network

033-XXX contains messages from charger control server which is running intelligent remote control. Please follow the remote procedure or contact management staff to arrange for charging.

Status Code	Conditions	Troubleshooting methods
033900 033901 033902	Back-End disconnected for the moment	<ol style="list-style-type: none"> 1. Code scanning and app authorization is unavailable for the moment, please change to RFID or others authorization. 2. Please contact management staff to check Back-End server connectivity. 3. If the connection cannot be restored after router or AP restart, please restart the main/sub cabinets. 4. If the connection cannot be restored after main/ sub cabinet restart, please turn off the whole charger and restart. 5. Please contact your dealer.
033903	Charging started by remote control	<ol style="list-style-type: none"> 1. Remote authorization passed, please plug in the charging cable for charging. 2. Contact management staff for further instructions.
033904	Charging stopped by remote control	<ol style="list-style-type: none"> 1. Charging meets setup time, Watt-Hour or amount, charging terminated by remote control. 2. Contact management staff for further instructions.
033905	Restart by remote control	<ol style="list-style-type: none"> 1. Charger reset and maintain process by remote control, charging terminated. 2. Contact management staff for further instructions.

5.4 Status Codes

(V0.41)

*For latest status code, please visit our website.

Status Code	Description
011001	CHAdEMO output fuse blew
011002	CCS output fuse blew
011003	GB output fuse blew
011004	RCD/CCID self-test fail
011005	AC input contactor 1 welding
011006	AC input contactor 1 driving fault
011007	AC input contactor 2 welding
011008	AC input contactor 2 driving fault
011009	AC output relay welding
011010	AC output relay driving fault
011011	CHAdEMO output relay welding
011012	CHAdEMO output relay driving fault
011013	CCS output relay welding
011014	CCS output relay driving fault
011015	GB output relay welding
011016	GB output relay driving fault
011017	AC connector temperature sensor broken
011018	CHAdEMO connector temperature sensor broken
011019	CCS connector temperature sensor broken
011020	GB connector temperature sensor broken
011021	WiFi module broken
011022	3G/4G module broken
011023	Aux. power module broken
011024	Relay control module /smart box broken
011025	CHAdEMO connector lock fail
011026	GB connector lock fail
011027	AC connector lock fail
011028	CHAdEMO module broken
011029	CCS module broken
011030	GBT module broken

Status Code	Description
011031	PSU module broken
011032	RCD/CCID module broken
011033	Maximum Output Current setup error
011034	Shutter fault
011035	Ble module broken
011036	Rotary switch fault
011037	CCS liquid chiller water level fault
011038	Chiller temperature sensor broken
011039	Reserved
011040	Reserved
012200	System L1 input OVP
012201	System L2 input OVP
012202	System L3 input OVP
012203	System L1 input UVP
012204	System L2 input UVP
012205	System L3 input UVP
012206	PSU L1 input OVP
012207	PSU L2 input OVP
012208	PSU L3 input OVP
012209	PSU L1 input UVP
012210	PSU L2 input UVP
012211	PSU L3 input UVP
012212	System L1 input drop
012213	System L2 input drop
012214	System L3 input drop
012215	System AC output OVP
012216	System AC L1 output OCP
012217	System CHAdeMO output OVP
012218	System CHAdeMO output OCP
012219	System CCS output OVP
012220	System CCS output OCP
012221	System GB output OVP

Status Code	Description
012222	System GB output OCP
012223	System ambient/inlet OTP
012224	System critical point OTP
012225	PSU ambient/inlet OTP
012226	PSU critical point OTP
012227	Aux. power module OTP
012228	Relay board/smart box OTP
012229	CHAdEMO connector OTP
012230	CCS connector OTP
012231	GB connector OTP
012232	AC connector OTP
012233	RCD/CCID trip
012234	CHAdEMO GFD trip
012235	CCS GFD trip
012236	GB GFD trip
012237	SPD trip
012238	Main power breaker trip
012239	Aux. power breaker trip
012240	PSU communication fail
012241	WiFi module communication fail
012242	3G/4G module communication fail
012243	RFID module communication fail
012244	Bluetooth module communication fail
012245	LCM module communication fail
012246	Aux. power module communication fail
012247	Relay control board/smart box communication fail
012248	CCS module communication fail
012249	CHAdEMO module communication fail
012250	GBT module communication fail
012251	Emergency stop
012252	Door open
012253	System fan decay

Status Code	Description
012254	Fail to create share memory
012255	CSU initialization failed
012256	AC Ground Fault
012257	MCU self-test Fault
012258	Relay self-test Fault
012259	CHAdEMO groundfault detection timeout (GFD)
012260	CCS groundfault detection timeout (GFD)
012261	GB groundfault detection timeout (GFD)
012262	System AC L1 output Circuit Short
012263	PSU Duplicate ID
012264	PSU Output Short Circuit
012265	PSU Discharge Abnormal
012266	PSU Dc Side ShutDown
012267	PSU Failure Alarm
012268	PSU Protection Alarm
012269	PSU FanFailure Alarm
012270	PSU Input UVP
012271	PSU Input OVP
012272	PSU WalkIn State
012273	PSU Power Limited State
012274	PSU Id Repeat
012275	PSU Severe Uneven Current
012276	PSU Three Phase Input Inadequate
012277	PSU Three Phase Onput Imbalance
012278	PSU Ffc Side ShutDown
012279	NO PSU Resource
012280	Self test Failed due to communication of Relayboard failure
012281	Self test Failed due to communication of Fanboard failure
012282	Self test Failed due to communication of Primary failure
012283	Self test Failed due to communication of Chademoboard failure
012284	Self test Failed due to communication of CCSboard failure
012285	Self test Failed due to AC Contact failure

Status Code	Description
012286	Self test Failed due to communication of PSU failure
012287	Self test Failed due to Model name is none match
012288	CCS output UVP
012289	Chademo output UVP
012290	GBT output UVP
012291	Self test Failed due to communication of GBTboard failure
012292	Self test Failed due to communication of AC failure
012293	Self test Failed due to communication of Ledboard failure
012294	AC input ovp
012295	AC input uvp
012296	CHAdEMO groundfault detection - warning
012297	CCS groundfault detection - warning
012298	GB groundfault detection - warning
012299	System AC L2 output OCP
012300	System AC L3 output OCP
012301	System AC L2 output Circuit Short
012302	System AC L3 output Circuit Short
012303	CCS liquid chiller water level warning
012304	disconnected from power cabinet
012305	Meter communication timeout
012306	The dip switch of the PSU may be incorrect
012307	Psu Fuse Burn-Out
012308	Psu Pfc And Dcdc Communication Fault
012309	Psu Bus Voltage Unbalance
012310	Psu Bus Over Voltage
012311	Psu Bus Voltage Abnormal
012312	Psu Bus Under Voltage
012313	Psu Input Phase Loss
012314	Psu Fan Full Speed
012315	Psu Temperature Power Limit
012316	Psu Ac Power Limit
012317	Psu Dcdc Eeprom Fault

Status Code	Description
012318	Psu Pfc Eeprom Fault
012319	Psu Dcdc Over Voltage
012320	System CHAdeMO output UCP
012321	System CCS output UCP
012322	System GBT output UCP
012323	System Chiller output OTP
012324	Connector 1 detects abnormal voltage on the output line
012325	Connector 2 detects abnormal voltage on the output line
012326	System task is lost
012327	DC input ovp
012328	DC input uvp
012329	Psu Can Communication Fault
012330	Psu Dc to Dc OTP
012331	Psu Dc to Dc OVP
012344	Meter IC communication timeout
012345	Pilot negative error
012346	Psu Communication error with CSU
013600	Normal stop charging by user
013601	Charging Time's up
013602	Replace system air filter
013603	Reach to CHAdeMO max. plugging times.
013604	Reach to CCS max. plugging times.
013605	Reach to GB max. plugging times.
013606	Reach to AC max. plugging times.
013607	CSU fimrware update fail
013608	CHAdeMO Module fimrware update fail
013609	CCS Module fimrware update fail
013610	GB Module fimrware update fail
013611	Aux. power module fimrware update fail
013612	Relay control module fimrware update fail
013613	LCM module fimrware update fail
013614	Bluetooth module fimrware update fail

Status Code	Description
013615	WiFi module firmware update fail
013616	3G/4G module firmware update fail
013617	SMR firmware update fail
013618	RFID module firmware update fail
013619	configured by USB flash drive
013620	configured by backend
013621	configured by webpage
013622	disconnected from Internet through Ethernet
013623	disconnected from Internet through WiFi
013624	disconnected from Internet through 3G/4G
013625	disconnected from AP through WiFi
013626	disconnected from APN through 3G/4G
013627	WiFi disabled (separated charger only)
013628	4G disabled (separated charger only)
013629	Reserved
013630	Reserved
013631	Reserved
023700	CHAdEMO EV communication Fail
023701	CCS EV communication Fail
023702	GB EV communication Fail
023703	AC: pilot fault
023704	CHAdEMO: battery malfunction
023705	CHAdEMO: no charging permission
023706	CHAdEMO: battery incompatibility
023707	CHAdEMO: battery OVP
023708	CHAdEMO: battery UVP
023709	CHAdEMO: battery OTP
023710	CHAdEMO: battery current difference
023711	CHAdEMO: battery voltage difference
023712	CHAdEMO: shift position
023713	CHAdEMO: battery other fault
023714	CHAdEMO: charging system error

Status Code	Description
023715	CHAdEMO: ev normal stop
023716	CHAdEMO: connector temperature sensor broken
023717	CHAdEMO: connector lock fail
023718	CHAdEMO: d1 on no receive
023719	CHAdEMO: bms k to j on timeout
023720	CHAdEMO: bms charge allow timeout
023721	CHAdEMO: wait groundfault timeout
023722	CHAdEMO: bms ev relay on timeout
023723	CHAdEMO: bms req current timeout
023724	CHAdEMO: bms k to j off timeout
023725	CHAdEMO: bms ev relay off timeout
023726	CHAdEMO: adc more than 10v
023727	CHAdEMO: adc more than 20v
023728	CHAdEMO: bms charge before stop
023729	CHAdEMO: charger get normal stop cmd
023730	CHAdEMO: charger get emergency stop cmd
023731	CHAdEMO: isolation result fail
023732	CHAdEMO: mother board miss link
023733	CHAdEMO: output voltage more than limit
023734	CHAdEMO: req current more than limit
023735	CHAdEMO: re capability bms eqr current exceed
023736	CHAdEMO: charge remaining count done
023737	CCS_EVCC_EVErrorCode_FAILED_RESSTemperatureInhibit
023738	CCS_EVCC_EVErrorCode_FAILED_EVShiftPosition
023739	CCS_EVCC_EVErrorCode_FAILED_ChargerConnectorLockFault
023740	CCS_EVCC_EVErrorCode_FAILED_EVRESSMalfunction
023741	CCS_EVCC_EVErrorCode_FAILED_ChargingCurrentdifferential
023742	CCS_EVCC_EVErrorCode_FAILED_ChargingVoltageOutOfRange
023743	CCS_EVCC_EVErrorCode_FAILED_ChargingSystemIncompatibility
023744	CCS_EVCC_EVErrorCode_FAILED_EmergencyEvent
023745	CCS_EVCC_EVErrorCode_FAILED_Breaker
023746	CCS_EVCC_EVErrorCode_FAILED_NoData

Status Code	Description
023747	CCS_EVCC_EVErrorCode_FAILED_reserved_by_DIN_A
023748	CCS_EVCC_EVErrorCode_FAILED_reserved_by_DIN_B
023749	CCS_EVCC_EVErrorCode_FAILED_reserved_by_DIN_C
023750	CCS_EVCC_EVErrorCode_FAILED_reserved_by_ISO_1
023751	CCS_EVCC_EVErrorCode_FAILED_reserved_by_ISO_2
023752	CCS_EVCC_EVErrorCode_FAILED_reserved_by_ISO_3
023753	CCS_EVCC_EVErrorCode_FAILED_reserved_by_OEM_1
023754	CCS_EVCC_EVErrorCode_FAILED_reserved_by_OEM_2
023755	CCS_EVCC_EVErrorCode_FAILED_reserved_by_OEM_3
023756	CCS_EVCC_EVErrorCode_FAILED_reserved_by_OEM_4
023757	CCS_EVCC_EVErrorCode_FAILED_reserved_by_OEM_5
023758	CCS_SECC_ResponseCode_FAILED_SequenceError
023759	CCS_SECC_ResponseCode_FAILED_SignatureError
023760	CCS_SECC_ResponseCode_FAILED_UnknownSession
023761	CCS_SECC_ResponseCode_FAILED_ServiceIDInvalid
023762	CCS_SECC_ResponseCode_FAILED_Payment SelectionInvalid
023763	CCS_SECC_ResponseCode_FAILED_IdentificationSelectionInvalid
023764	CCS_SECC_ResponseCode_FAILED_ServiceSelectionInvalid
023765	CCS_SECC_ResponseCode_FAILED_CertificateExpired
023766	CCS_SECC_ResponseCode_FAILED_CertificateNotYetValid
023767	CCS_SECC_ResponseCode_FAILED_CertificateRevoked
023768	CCS_SECC_ResponseCode_FAILED_NoCertificateAvailable
023769	CCS_SECC_ResponseCode_FAILED_CertChainError
023770	CCS_SECC_ResponseCode_FAILED_CertValidationError
023771	CCS_SECC_ResponseCode_FAILED_CertVerificationError
023772	CCS_SECC_ResponseCode_FAILED_ContractCanceled
023773	CCS_SECC_ResponseCode_FAILED_ChallengeInvalid
023774	CCS_SECC_ResponseCode_FAILED_WrongEnergyTransferMode
023775	CCS_SECC_ResponseCode_FAILED_WrongChargeParameter
023776	CCS_SECC_ResponseCode_FAILED_ChargingProfileInvalid
023777	CCS_SECC_ResponseCode_FAILED_TariffSelectionInvalid
023778	CCS_SECC_ResponseCode_FAILED_EVSEPresentVoltageToLow

Status Code	Description
023779	CCS_SECC_ResponseCode_FAILED_PowerDeliveryNotApplied
023780	CCS_SECC_ResponseCode_FAILED_MeteringSignatureNotValid
023781	CCS_SECC_ResponseCode_FAILED_NoChargeServiceSelected
023782	CCS_SECC_ResponseCode_FAILED_ContactorError
023783	CCS_SECC_ResponseCode_FAILED_CertificateNotAllowedAtThisEVSE
023784	CCS_SECC_ResponseCode_FAILED_GAChargeStop
023785	CCS_SECC_ResponseCode_FAILED_AlignmentError
023786	CCS_SECC_ResponseCode_FAILED_ACDError
023787	CCS_SECC_ResponseCode_FAILED_AssociationError
023788	CCS_SECC_ResponseCode_FAILED_EVSEChargeAbort
023789	CCS_SECC_ResponseCode_FAILED_NoSupportedApp-Protocol
023790	CCS_SECC_ResponseCode_FAILED_ContractNotAccepted
023791	CCS_SECC_ResponseCode_FAILED_MOUnknown
023792	CCS_SECC_ResponseCode_FAILED_OEM_Prov_CertificateRevoke
023793	CCS_SECC_ResponseCode_FAILED_OEM_SubCA1_CertificateRevoked
023794	CCS_SECC_ResponseCode_FAILED_OEM_SubCA2_CertificateRevoked
023795	CCS_SECC_ResponseCode_FAILED_OEM_RootCA_CertificateRevoked
023796	CCS_SECC_ResponseCode_FAILED_MO_Prov_CertificateRevoked
023797	CCS_SECC_ResponseCode_FAILED_MO_SubCA1_CertificateRevoked
023798	CCS_SECC_ResponseCode_FAILED_MO_SubCA2_CertificateRevoked
023799	CCS_SECC_ResponseCode_FAILED_MO_RootCA_CertificateRevoked
023800	CCS_SECC_ResponseCode_FAILED_CPS_Prov_CertificateRevoked
023801	CCS_SECC_ResponseCode_FAILED_CPS_SubCA1_CertificateRevoked
023802	CCS_SECC_ResponseCode_FAILED_CPS_SubCA2_CertificateRevoked

Status Code	Description
023803	CCS_SECC_ResponseCode_FAILED_CPS_RootCA_CertificateRevoked
023804	CCS_SECC_ResponseCode_FAILED_reserved_1
023805	CCS_SECC_ResponseCode_FAILED_reserved_2
023806	CCS_SECC_ResponseCode_FAILED_reserved_3
023807	CCS_SECC_ResponseCode_FAILED_reserved_4
023808	CCS_SECC_ResponseCode_FAILED_reserved_5
023809	CCS_SECC_TIMEOUT_SLAC_TT_EVSE_SLAC_init
023810	CCS_SECC_TIMEOUT_SLAC_TP_match_response
023811	CCS_SECC_TIMEOUT_CM_START_ATTEN_CHAR_IND
023812	CCS_SECC_TIMEOUT_SLAC_TT_EVSE_match_MNBC
023813	CCS_SECC_TIMEOUT_SLAC_TP_EVSE_avg_atten_calc
023814	CCS_SECC_TIMEOUT_SLAC_CM_ATTEN_CHAR_RSP
023815	CCS_SECC_TIMEOUT_SLAC_CM_VALIDATE_REQ_1ST__CM_SLAC_MATCH_REQ
023816	CCS_SECC_TIMEOUT_SLAC_TT_EVSE_assoc_session
023817	CCS_SECC_TIMEOUT_SLAC_TT_EVSE_vald_toggle
023818	CCS_SECC_TIMEOUT_SLAC_CM_MNBC_SOUND_IND
023819	CCS_SECC_TIMEOUT_SLAC_CM_VALIDATE_REQ_2ND__CM_SLAC_MATCH_REQ
023820	CCS_SECC_TIMEOUT_SLAC_reserved_3
023821	CCS_SECC_TIMEOUT_SLAC_reserved_4
023822	CCS_SECC_TIMEOUT_SLAC_reserved_5
023823	CCS_SECC_TIMEOUT_SLACC_SDP_UDP_TT_match_join
023824	CCS_SECC_TIMEOUT_SLACC_SDP_TCP_TT_match_join
023825	CCS_SECC_TIMEOUT_SLACC_SDP_TP_amp_map_exchange
023826	CCS_SECC_TIMEOUT_SLACC_SDP_TP_link_ready_notification
023827	CCS_SECC_TIMEOUT_SLACC_SDP_reserved_1
023828	CCS_SECC_TIMEOUT_SLACC_SDP_reserved_2
023829	CCS_SECC_TIMEOUT_SLACC_SDP_reserved_3
023830	CCS_SECC_TIMEOUT_SLACC_SDP_reserved_4
023831	CCS_SECC_TIMEOUT_SLACC_SDP_reserved_5

Status Code	Description
023832	CCS_SECC_TIMEOUT_V2G_Msg_Performance_Time_SupportedAppProtocolRes
023833	CCS_SECC_TIMEOUT_V2G_Msg_Performance_Time_SessionSetupRes
023834	CCS_SECC_TIMEOUT_V2G_Msg_Performance_Time_ServiceDiscoveryRes
023835	CCS_SECC_TIMEOUT_V2G_Msg_Performance_Time_ServicePaymentSelectionRes
023836	CCS_SECC_TIMEOUT_V2G_Msg_Performance_Time_ContractAuthenticationRes
023837	CCS_SECC_TIMEOUT_V2G_Msg_Performance_Time_ChargeParameterDiscoveryRes
023838	CCS_SECC_TIMEOUT_V2G_Msg_Performance_Time_PowerDeliveryRes
023839	CCS_SECC_TIMEOUT_V2G_Msg_Performance_Time_CableCheckRes
023840	CCS_SECC_TIMEOUT_V2G_Msg_Performance_Time_PreChargeRes
023841	CCS_SECC_TIMEOUT_V2G_Msg_Performance_Time_CurrentDemandRes
023842	CCS_SECC_TIMEOUT_V2G_Msg_Performance_Time_WeldingDetectionRes
023843	CCS_SECC_TIMEOUT_V2G_Msg_Performance_Time_SessionStopRes
023844	CCS_SECC_TIMEOUT_V2G_Sequence_Time
023845	CCS_SECC_TIMEOUT_V2G_ReadyToCharge_Performance_Time
023846	CCS_SECC_TIMEOUT_V2G_CommunicationSetup_Performance_Time
023847	CCS_SECC_TIMEOUT_V2G_CableCheck_Performance_Time
023848	CCS_SECC_TIMEOUT_V2G_CPState_Detection_Time
023849	CCS_SECC_TIMEOUT_V2G_CPOscillator_Retain_Time
023850	CCS_SECC_TIMEOUT_V2G_PreCharge_Performance_Time
023851	CCS_SECC_TIMEOUT_V2G_reserved_2
023852	CCS_SECC_TIMEOUT_V2G_reserved_3

Status Code	Description
023853	CCS_SECC_TIMEOUT_V2G_reserved_4
023854	CCS_SECC_TIMEOUT_V2G_reserved_5
023855	CCS_CAN_TIMEOUT_TP_GET_EV_TARGET_INFO
023856	CCS_CAN_TIMEOUT_TT_GET_EV_TARGET_INFO
023857	CCS_CAN_TIMEOUT_TP_GET_EV_BATTERY_INFO
023858	CCS_CAN_TIMEOUT_TT_GET_EV_BATTERY_INFO
023859	CCS_CAN_TIMEOUT_TP_EV_STOP_EVENT
023860	CCS_CAN_TIMEOUT_TT_EV_STOP_EVENT
023861	CCS_CAN_TIMEOUT_TP_EVSE_STOP_EVENT
023862	CCS_CAN_TIMEOUT_TT_EVSE_STOP_EVENT
023863	CCS_CAN_TIMEOUT_TP_GET_MISC_INFO
023864	CCS_CAN_TIMEOUT_TT_GET_MISC_INFO
023865	CCS_CAN_TIMEOUT_TP_DOWNLOAD_REQUEST
023866	CCS_CAN_TIMEOUT_TT_DOWNLOAD_REQUEST
023867	CCS_CAN_TIMEOUT_TP_START_BLOCK_TRANSFER
023868	CCS_CAN_TIMEOUT_TT_START_BLOCK_TRANSFER
023869	CCS_CAN_TIMEOUT_TP_DATA_TRANSFER
023870	CCS_CAN_TIMEOUT_TT_DATA_TRANSFER
023871	CCS_CAN_TIMEOUT_TP_DOWNLOAD_FINISH
023872	CCS_CAN_TIMEOUT_TT_DOWNLOAD_FINISH
023873	CCS_CAN_TIMEOUT_TP_ISOLATION_STATUS
023874	CCS_CAN_TIMEOUT_TT_ISOLATION_STATUS
023875	CCS_CAN_TIMEOUT_TP_CONNECTOR_INFO
023876	CCS_CAN_TIMEOUT_TT_CONNECTOR_INFO
023877	CCS_CAN_TIMEOUT_TT_RTC_INFO
023878	CCS_CAN_TIMEOUT_TP_RTC_INFO
023879	CCS_CAN_TIMEOUT_TP_EVSE_PRECHARGE_INFO
023880	CCS_CAN_TIMEOUT_TT_EVSE_PRECHARGE_INFO
023881	CCS_CAN_TIMEOUT_MSG_Sequence
023882	CCS_CAN_MSG_Unrecognized_CMD_ID
023883	CCS_SECC_DIN_Msg_Decode_Error
023884	CCS_SECC_DIN_Msg_Encode_Error

Status Code	Description
023885	CCS_SECC_ISO1_Msg_Decode_Error
023886	CCS_SECC_ISO1_Msg_Encode_Error
023887	CCS_SECC_ISO2_Msg_Decode_Error
023888	CCS_SECC_ISO2_Msg_Encode_Error
023889	CCS_SECC_CP_State_Error
023890	CCS_SECC_Unexpected_60V_Before_Charing_Error
023891	CCS_SECC_Not_Ready_For_Charging
023892	CCS_SECC_TIMEOUT_QCA7000_COMM (The firmware code of QCA7000 may not be installed, yet)
023893	CCS_SECC_FAIL_QCA7000_SETKEY
023894	Reserved
023895	Reserved
023896	Reserved
023897	Reserved
023898	Reserved
023899	Reserved
023900	GBT_LOS_CC1
023901	GBT_CONNECTOR_LOCK_FAIL
023902	GBT_BATTERY_INCOMPATIBLE
023903	GBT_BMS_BROAA_TIMEOUT
023904	GBT_CSU_PRECHARGE_TIMEOUT
023905	GBT_BMS_PRESENT_VOLTAGE_FAULT
023906	GBT_BMS_VOLTAGE_OVER_RANGE
023907	GBT_BSM_CHARGE_ALLOW_00_10MIN_COUUNTDONE
023908	GBT_WAIT_GROUNDFULT_TIMEOUT
023909	GBT_ADC_MORE_THAN_10V
023910	GBT_ADC_MORE_THAN_60V
023911	GBT_CHARGER_GET_NORMAL_STOP_CMD
023912	GBT_CHARGER_GET_EMERGENCY_STOP_CMD
023913	GBT_ISOLATION_RESULT_FAIL
023914	GBT_MOTHER_BOARD_MISS_LINK
023915	GBT_OUTPUT_VOLTAGE_MORE_THAN_LIMIT

Status Code	Description
023916	GBT_REQ_CURRENT_MORE_THAN_LIMIT
023917	GBT_OUTPUT_VOLTAGE_MORE_THAN_10_PERCENT
023918	GBT_OUTPUT_VOLTAGE_DIFF_BCS_5_PERCENT
023919	GBT_STOP_ADC_MORE_THAN_10V
023920	Reserved
023921	Reserved
023922	Reserved
023923	Reserved
023924	Reserved
023925	Reserved
023926	Reserved
023927	Reserved
023928	Reserved
023929	Reserved
023930	GBT_CEM_BHM_TIMEOUT
023931	GBT_CEM_BRM_TIMEOUT
023932	GBT_CEM_BCP_TIMEOUT
023933	GBT_CEM_BRO_TIMEOUT
023934	GBT_CEM_BCL_TIMEOUT
023935	GBT_CEM_BCS_TIMEOUT
023936	GBT_CEM_BSM_TIMEOUT
023937	GBT_CEM_BST_TIMEOUT
023938	GBT_CEM_BSD_TIMEOUT
023939	GBT_CEM_BEM_OTHER_TIMEOUT
023940	GBT_BEM_CRM_TIMEOUT
023941	GBT_BEM_CRMAA_TIMEOUT
023942	GBT_BEM_CTS_CML_TIMEOUT
023943	GBT_BEM_CRO_TIMEOUT
023944	GBT_BEM_CCS_TIMEOUT
023945	GBT_BEM_CST_TIMEOUT
023946	GBT_BEM_CSD_TIMEOUT
023947	GBT_BEM_BEM_OTHER_TIMEOUT

Status Code	Description
023948	Reserved
023949	Reserved
023950	GBT_BST_SOC_GOAL
023951	GBT_BST_TOTAL_VOLTAGE_GOAL
023952	GBT_BST_CELL_VOLTAGE_GOAL
023953	GBT_BST_GET_CST
023954	GBT_BST_ISOLATION
023955	GBT_BST_OUTPUT_CONNECTOR_OTP
023956	GBT_BST_COMPONENT
023957	GBT_BST_CHARGE_CONNECTOR
023958	GBT_BST_OTP
023959	GBT_BST_OTHER
023960	GBT_BST_HIGH_V
023961	GBT_BST_CC2
023962	GBT_BST_CURRENT
023963	GBT_BST_VOLTAGE
023964	GBT_GET_BST_NO_REASON
023965	Reserved
023966	Reserved
023967	Reserved
023968	Reserved
023969	Reserved
023970	GBT_BSM_CELL_OVER_VOLTAGE
023971	GBT_BSM_CELL_UNDER_VOLTAGE
023972	GBT_BSM_OVER_SOC
023973	GBT_BSM_UNDER_SOC
023974	GBT_BSM_CURRENT
023975	GBT_BSM_TEMPERATURE
023976	GBT_BSM_ISOLATE
023977	GBT_BSM_OUTPUT_CONNECTOR
023978	
023979	EV full charging

Status Code	Description
023980	ERROR_CODE_CHADEMO_BMS_CHARGE_ALLOW_ERROR
023981	ERROR_CODE_CHADEMO_OUTPUT_VOLTAGE_MORE_THAN_10_PERCENT
023982	ERROR_CODE_CHADEMO_ADC_LESS_THAN_10V
023983	STOP by EV with unknow reason
033900	disconnected from backend through Ethernet
033901	disconnected from backend through WiFi
033902	disconnected from backend through 3G/4G
033903	Remote start charging by backend
033904	Remote stop charging by backend
033905	Remote reset by backend
033906	Reserved
033907	Reserved
041004	RCD/CCID self-test fail
041005	AC input contactor 1 welding
041006	AC input contactor 1 driving fault
041007	AC input contactor 2 welding
041008	AC input contactor 2 driving fault
041009	AC output relay welding
041010	AC output relay driving fault
041017	AC connector temperature sensor broken
041021	WiFi module broken
041022	3G/4G module broken
041023	Aux. power module broken
041024	Relay control module /smart box broken
041031	PSU module broken
041032	RCD/CCID module broken
041033	Maximum Output Current setup error
041034	Shutter fault
041035	Ble module broken
041036	Rotary switch fault
042200	System L1 input OVP

Status Code	Description
042201	System L2 input OVP
042202	System L3 input OVP
042203	System L1 input UVP
042204	System L2 input UVP
042205	System L3 input UVP
042206	PSU L1 input OVP
042207	PSU L2 input OVP
042208	PSU L3 input OVP
042209	PSU L1 input UVP
042210	PSU L2 input UVP
042211	PSU L3 input UVP
042212	System L1 input drop
042213	System L2 input drop
042214	System L3 input drop
042223	System ambient/inlet OTP
042224	System critical point OTP
042225	PSU ambient/inlet OTP
042226	PSU critical point OTP
042227	Aux. power module OTP
042228	Relay board/smart box OTP
042232	AC connector OTP
042233	RCD/CCID trip
042237	SPD trip
042238	Main power breaker trip
042239	Aux. power breaker trip
042240	PSU communication fail
042241	WiFi module communication fail
042242	3G/4G module communication fail
042244	Bluetooth module communication fail
042246	Aux. power module communication fail
042247	Relay control board/smart box communication fail
042251	Emergency stop

Status Code	Description
042252	Door open
042253	System fan decay
042254	Fail to create share memory
042255	CSU initialization failed
042257	MCU self-test Fault
042258	Relay self-test Fault
042262	System AC L1 output Circuit Short
042263	PSU Duplicate ID
042264	PSU Output Short Circuit
042265	PSU Discharge Abnormal
042266	PSU Dc Side ShutDown
042267	PSU Failure Alarm
042268	PSU Protection Alarm
042269	PSU FanFailure Alarm
042270	PSU Input UVP
042271	PSU Input OVP
042272	PSU WalkIn State
042273	PSU Power Limited State
042274	PSU Id Repeat
042275	PSU Severe Uneven Current
042276	PSU Three Phase Input Inadequate
042277	PSU Three Phase Onput Imbalance
042278	PSU Ffc Side ShutDown
042279	NO PSU Resource
042280	Self test Failed due to communication of Relayboard failure
042281	Self test Failed due to communication of Fanboard failure
042282	Self test Failed due to communication of Primary failure
042283	Self test Failed due to communication of Chademoboard failure
042284	Self test Failed due to communication of CCSboard failure
042285	Self test Failed due to AC Contact failure
042286	Self test Failed due to communication of PSU failure
042287	Self test Failed due to Model name is none match

Status Code	Description
042291	Self test Failed due to communication of GBTboard failure
042292	Self test Failed due to communication of AC failure
042293	Self test Failed due to communication of Ledboard failure
042294	AC input ovp
042295	AC input uvp
042299	System AC L2 output OCP
042300	System AC L3 output OCP
042301	System AC L2 output Circuit Short
042302	System AC L3 output Circuit Short
042304	disconnected from dispenser
042305	Meter communication timeout
042306	The dip switch of the PSU may be incorrect
042307	Psu Fuse Burn-Out
042308	Psu Pfc And Dcdc Communication Fault
042309	Psu Bus Voltage Unbalance
042310	Psu Bus Over Voltage
042311	Psu Bus Voltage Abnormal
042312	Psu Bus Under Voltage
042313	Psu Input Phase Loss
042314	Psu Fan Full Speed
042315	Psu Temperature Power Limit
042316	Psu Ac Power Limit
042317	Psu Dcdc Eeprom Fault
042318	Psu Pfc Eeprom Fault
042319	Psu Dcdc Over Voltage
042327	DC input ovp
042328	DC input uvp
043600	Normal stop charging by user
043601	Charging Time's up
043602	Replace system air filter
043607	CSU fimrware update fail
043611	Aux. power module fimrware update fail

Status Code	Description
043612	Relay control module firmware update fail
043614	Bluetooth module firmware update fail
043615	WiFi module firmware update fail
043616	3G/4G module firmware update fail
043617	SMR firmware update fail
043618	RFID module firmware update fail
043619	configured by USB flash drive
043620	configured by backend
043621	configured by webpage
043622	disconnected from Internet through Ethernet
043623	disconnected from Internet through WiFi
043624	disconnected from Internet through 3G/4G
043625	disconnected from AP through WiFi
043626	disconnected from APN through 3G/4G
043627	WiFi disabled (separated charger only)
043628	4G disabled (separated charger only)

6. Maintenance

6.1 Before Maintenance

To meet NFPA-70E, OSHA 1910.333 and other Health/safety/security codes, please adhere to the notice and get the permit needed in advance as below:

- 1) Turn off power (Work de-energized whenever possible)
- 2) Lockout/Tagout (LOTO)
- 3) Live work permit (Input terminals with HV after door open)
- 4) Plan the Work/Permit To Work
- 5) Use Personal Protective Equipment (PPE)
- 6) Safe workplace condition & space

6.1.1 Maintenance Check List

Please refer to Appendix for more details.

6.2 General Maintenance

- The DC Fast Charger is cooled by forced air. Please keep charger in a ventilated location and do not block the air vents of the DC Fast Charger.
- Please clean or replace the air filters regularly to ensure the DC Fast Charger works properly.
- The housing was made of welding process and surface painting. It is necessary to keep the exterior clean all the time. It's easy to get rusty if not keeping the exterior clean especially in corrosion sensitive environment. Slightly rusty will not affect charger performance, but if charger is serious rusty during or exceed the warranty period, please contact local vendor for instruction.
- Clean the DC fast Charger at least three times a year, keep the exterior clean at all times.
- Clean the outside of the cabinet with damp cloth or wet cotton towel, only use low-pressure tap water and cleaning agents with PH level between 6 to 8.
- Do not apply high-pressure water jets.
- Do not use cleaning agents with abrasive components and do not use abrasive tools. Improper cleaning agents might spoiled coating, painting, surface, brightness and durability of all exterior parts.
- If there is water intruding into the DC Fast Charger then please cut off the power source immediately and contact the DC Fast Charger provider for repair.
- Please make sure the charging connector is returned to the holder of the charging connector after charging to prevent damage.
- If there is damage to the charging connector, charging cable or holder of the charging connector then please contact the DC Fast Charger provider.

- When using the DC Fast Charger please handle properly. Do not strike or scrape the cabinet or screen.
- If the enclosure or screen is broken, cracked, open or shows any other indication of damage then please contact the Standalone DC Fast Charger provider.



WARNING: Danger of electrical shock or injury. Turn OFF power at the panelboard or load center before working on the equipment or removing any component. Do not remove circuit protective devices or any other component until the power is turned OFF.

- Disconnect electrical power to the DC Fast Charger before any maintenance work to ensure it is separated from the supply of AC mains. Failure to do so may cause physical injury or damage to the electrical system and charging unit.

Note:

- Before switching off main breaker to begin maintenance, please record the status code number on the LCD monitor.
- After maintenance door opened or MCCB of charger turned off the charger is still hazardous. Only visual inspection can be operated.
- Maintenance of the DC Fast Charger shall be conducted only by a qualified technician.
- After opening the front door of the DC Fast Charger, turn off the main breaker and auxiliary breaker before any maintenance work.
- Replace the ventilation filter every six to twelve months.
- Please confirm the main power junctions are tightened every month, and rotate cables testing when the power off. If any main power screw is loose will be resulted in damage on charger or smoke on the connections. Please confirm screw torque requirement table.
- Charging cable maintenance: Do not twist, bend the charging cable. The metal contact should not fade or be rusty.
- Please provide the EVSE information including serial number ,model name,status code ,failure behavior and timing ,and also connect the EVSE to the Internet before remote diagnostics and upgrading .

6.3 Replacement Kits and Accessories

The DC EVSE offers the following replacement kits and accessories.

Replacement Kit List
7-inch LCD
30kW DC PSU U-1K0100
MW Aux. Power HVG-150-12A
MW Aux. Power HVG-240-24A
Control & Supervisory Unit (CSU3.0)
Surge Protection Device (SPD)
DC Fan
Air Filters
RFID Readers
DC Relay
Fuse
AC Contactor
3G/4G/Wi-Fi board
Relay board
Fan board
LED board
MCCB

7. Limited Product Warranty

The warranty period of this charger is according to purchasing contract; two years typically.

Any spare parts provided by supplier Technology and used as replacements for repair are covered by a five-year guarantee.

Replacement and repair parts manufactured by alternative manufacturers to those on the maintenance parts are only allowed if authorized by supplier.

The housing was made of welding process and surface painting. It is necessary to keep the exterior clean all the time. It's easy to get rusty if not keeping the exterior clean especially in corrosion sensitive environment. Slightly rusty will not affect charger performance, but if charger is serious rusty during or exceed the warranty period, please contact local vendor for instruction.

Warranty Exclusions:

- Damage or rendered non-functional as a result of power surges, lighting, earthquake, fire, flood, pest damage, abuse, accident, misuse, negligence or failure to maintain the product or other event beyond supplier's reasonable control or not arising from normal operating condition.
- Cosmetic or superficial defect, dents, marks or scratches after use.
- Components which are separate from the product, ancillary equipment and consumables, such as door key, RFID card, air filter, fuse, cable, wires and connectors.
- Damage as a result of modifications, alterations or disassembling which were not pre-authorized in writing by supplier.
- Damage due to the failure to observe the applicable safety regulations governing the proper use of the product.
- Installed or operated not in strict conformance with the documentation, including without limitation, not ensuring sufficient ventilation for the product as described in supplier installation instruction.

If a defect in the product arises and valid claim is received within the warranty period, your sole and exclusive remedy will be for supplier, at its sole discretion and to extent permitted by law, to

1. Repair the defect in the product at no charge, using new or refurbished parts.
2. Exchange the product with new or refurbished product that is functionally equivalent to the original product.

Any remedy hardware product will be warranted for the remainder of the original warranty period or 90 days from delivery to the customer, whichever is longer.

In order to receive the remedy set for above, you must contact supplier during the warranty period and provide the model number, series number, proof of purchase, and date of purchase.

This warranty does not cover the damages caused by adapter usage accident or by other unauthorized operation/service.

Appendix 1 - Package list

Item	Description	No.	Remark
1	EVSE	1	
2	User manual	1	
3	EVSE Approved certificate	1	
4	OQC Report	1	
5	RFID Card	2	
6	Door Key	1	
7	Base cover	4	
8	M4x8 screw	23	
9	Breaker Lock	1	
10	Waterproof Plastic Bolts	4	
A	Charging Gun Labels	4	
B	Cable Management	1	Optional

Appendix 2 - Breaker Lock Installation



Step 1



Step 2



Step 3



Appendix 3 - Preventive Maintenance Check List

No.	Item	Description	0.5 year	1st year	2nd year	3rd year	4th year	5th year
1		Preventive maintenance	I	I	I	I	I	I
2	Appearance inspection	Appearance visual inspection	I	I	I	I	I	I
3	System fan	Fan clean and spinning smoothly check	I	I	I	R	I	I
4	Air filter	Air filter, air inlet and outlet clean	I	I	R	I	I	I
5	Charging cable	Appearance clean	I	I	I	R	I	I
6	PCBA	Visible section clean	--	I	I	I	I	R
7	SPD	SPD status indication check	I	I	I	I	I	R
8	DC output bolts torque	Bolts torque check	--	I	I	I	I	I
9	AC input bolts torque	Bolts torque check	--	I	I	I	I	I
10	LCD display	Display sharpness and backlight check	--	I	I	I	I	R
11	Selection button	Indication light and function check	--	I	I	I	I	R
12	RFID reader	Function check	--	I	I	I	I	R
13	Emergency stop button	Function check	--	I	I	I	I	R
14	Breaker and RCD	Function check	--	I	I	I	I	R
15	Aux power supply	No maintenance requirement	--	--	--	--	--	R
16	PSU module	No maintenance requirement	--	--	--	--	--	R

Note:

I: Inspection

R: Replacement or refill

--: No maintenance needed

Manufacturer Contact Info Sticker